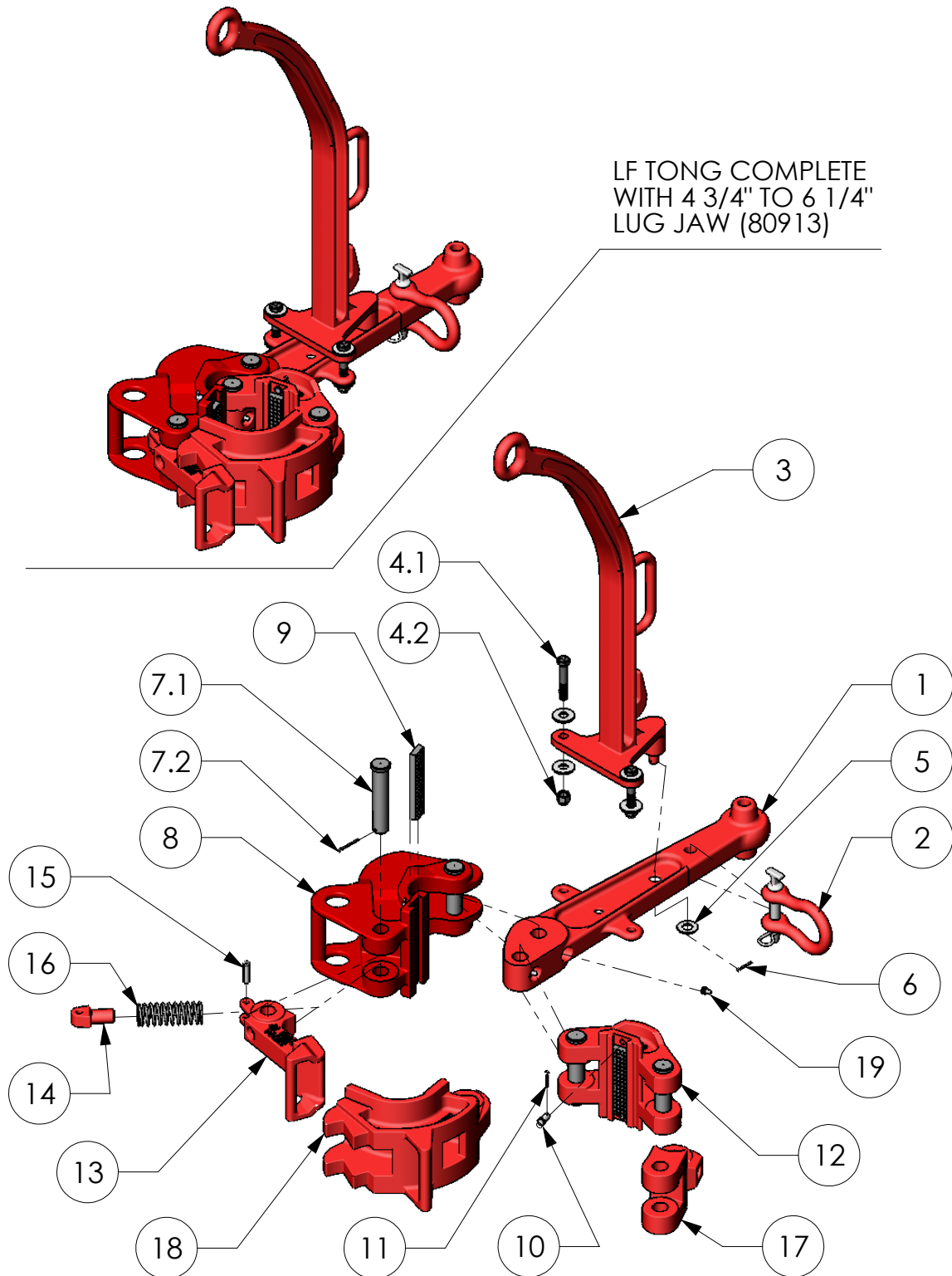


# BVM MANUAL TYPE "LF" TONG 16,000 ft/lbs TORQUE

The BVM Type "LF" Tong is designed for water well drilling, seismographic, mining and geothermal rigs. Made from alloy steel, heat treated and magnetic partical inspected. Sizes range from 2 3/8" through 7 1/4" OD. An additional hinge jaw is available for pipe sizes from 7 1/4" to 8 5/8" OD. All steel specifications are certified.



**BVM CORPORATION**  
 430 S. NAVAJO STREET, DENVER CO 80223  
 PHONE: 303-975-1402; FAX: 303-975-0981  
 www.bvmcorp.com; sales@bvmcorp.com

# BVM MANUAL TYPE "LF" TONG

## 16,000 ft/lbs TORQUE

ITEM NO.	DESCRIPTION	QTY REQ.	PART NO.	WEIGHT EACH (lbs)
--	TYPE LF TONG COMPLETE - LESS LUG JAWS	--	80121	107.0
--	LEVER ASSEMBLY	--	80908-1	31.0
1	LEVER	1	80908	26.0
2	CLEVIS ASSEMBLY	--	45711	2.0
--	HANGER ASSEMBLY	--	80916-1	20.0
3	HANGER	1	80916	15.0
4	HANGER BOLT & NUT	2	--	1.0
4.1	BOLT	--	1408C-22-5	--
4.2	LOCKNUT	--	6608C-00-5	--
5	FLAT WASHER	5	22080-00-0	--
6	COTTER PIN	1	30020-08-0	--
7	HINGE PIN 1" Dia w/COTTER PIN	AR	80921	1.0
7.1	HINGE PIN	--	80921-1	--
7.2	COTTER PIN	--	30020-12-0	--
--	LONG JAW ASSEMBLY - INCLUDES ITEMS 8, 9, 10, 11	--	80909-1	27.0
8	LONG JAW	1	80909	26.0
9	TONG DIE	AR	80401	1.0
10	CLEVIS PIN	AR	55060-06-0*	0.1
11	COTTER PIN	--	30020-08-0	--
--	SHORT JAW ASSEMBLY - INCLUDES ITEMS 12, 9, 10, 11	--	80910-1	15.0
12	SHORT JAW	1	80910	14.0
--	LATCH ASSEMBLY	--	80914-1	9.0
13	LATCH	1	80914	9.0
14	LATCH SPRING PLUNGER	1	80915	0.5
15	LATCH SPRING PLUNGER PIN	1	40060-12-0	0.1
16	LATCH SPRING	1	80920	0.1
17	HINGE FOR 80931 LUG JAW	1	80932	10.0
18	LUG JAW 2 3/8" TO 3 1/2"	1	80911	12.0
	LUG JAW 3 1/2" TO 5 3/8"		80912	15.0
	LUG JAW 4 3/4" TO 6 1/4"		80913	--
	LUG JAW 5 3/4" TO 7 1/4"		80930	35.0
	LUG JAW 7 1/4" TO 8 5/8"		80931	
--	LUG JAW 7 1/4" TO 8 5/8" w/HINGE	--	80931-1	56.0
19	GREASE FITTINGS	4	940308-1	0.1

AR = AS REQUIRED

\* = 55060-06-0 OR 55060-08-0 DEPENDING ON CASTING