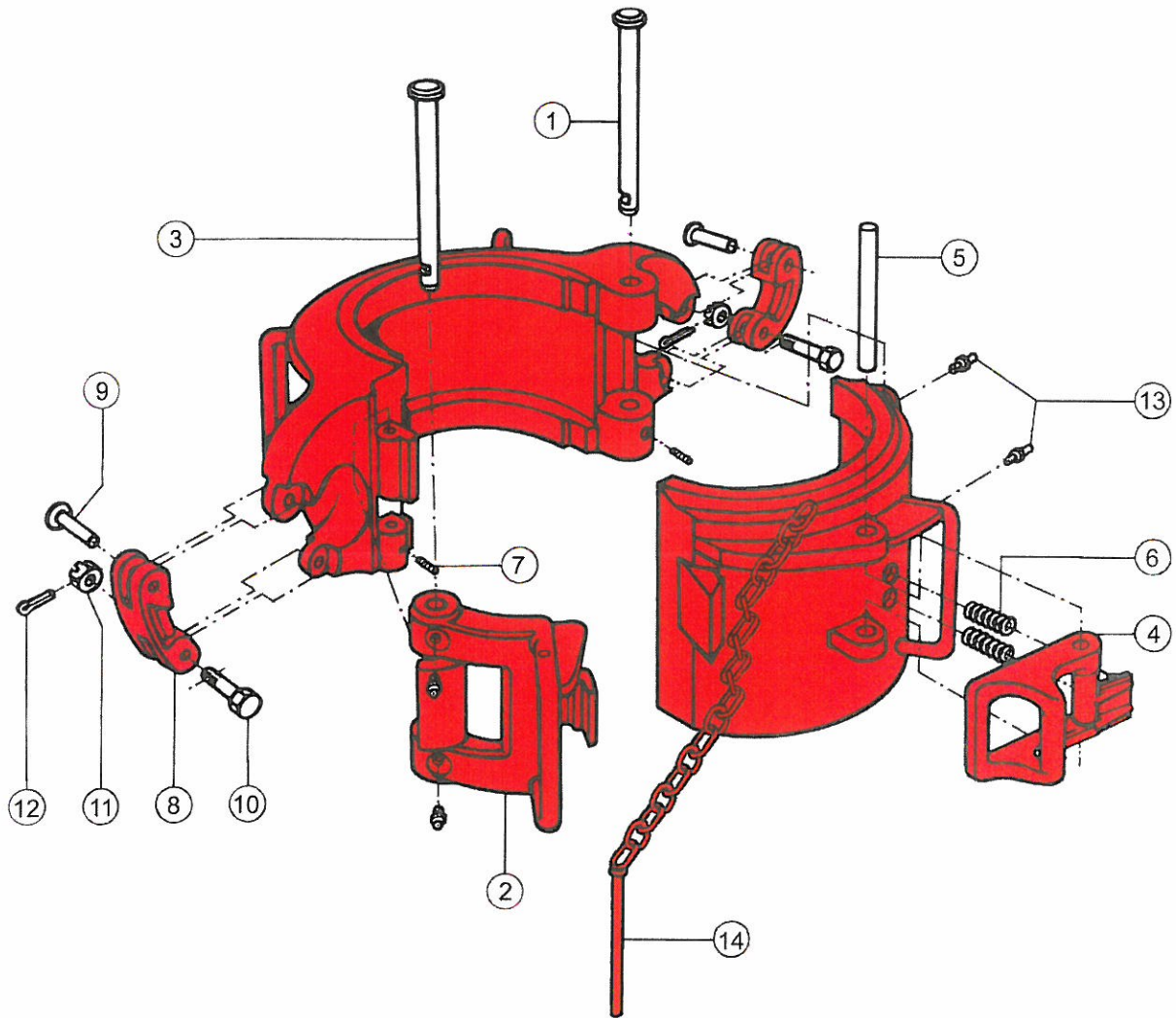


BVM SX SERIES ELEVATOR



BVM CORPORATION
430 S. NAVAJO STREET, DENVER CO 80223
PHONE: 303-975-1402; FAX: 303-975-0981
www.bvmcorp.com; sales@bvmcorp.com

1/9/2009

BVM SX SERIES ELEVATOR

REF NO.	DESCRIPTION	NO. REQ	SX 250	SX 350 / SX 500	SX 500
			18 5/8" - 20" 30598-**	9 5/8" - 13 5/8" 29965-** / 29964-**	16" 30729-**
1	HINGE PIN	1	29956	29956	29956
2	LATCH	1	30597	29945	30597-2
3	LATCH PIN	1	29951	29951	30696
4	LATCH LOCK	1	6021	6021	6021
5	LATCH LOCK PIN	1	6027	6027	6027
6	LATCH SPRING	1	30657	30657	30657
7	SET SCREW	1	939565-143	939565-143	939565-143
8	LINK BLOCK	2	9519	9519	9519
9	LINK BLOCK PIN	2	8151	8151	8151
10	LINK BLOCK BOLT	2	8145	8145	8145
11	LINK BLOCK NUT	2	8150	8150	8150
12	COTTER PIN	2	939672-20	939672-20	939672-20
13	GREASE FITTING	1	940308-1	940308-1	940308-1

** = See Bore Code Charts

1/9/2009