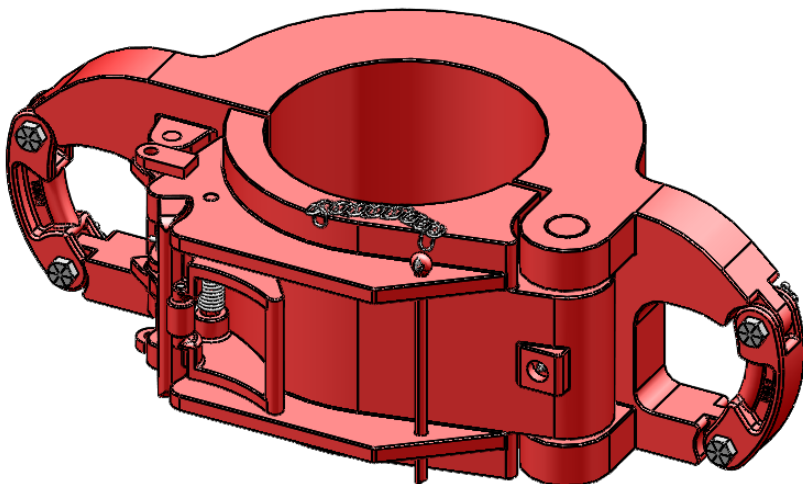
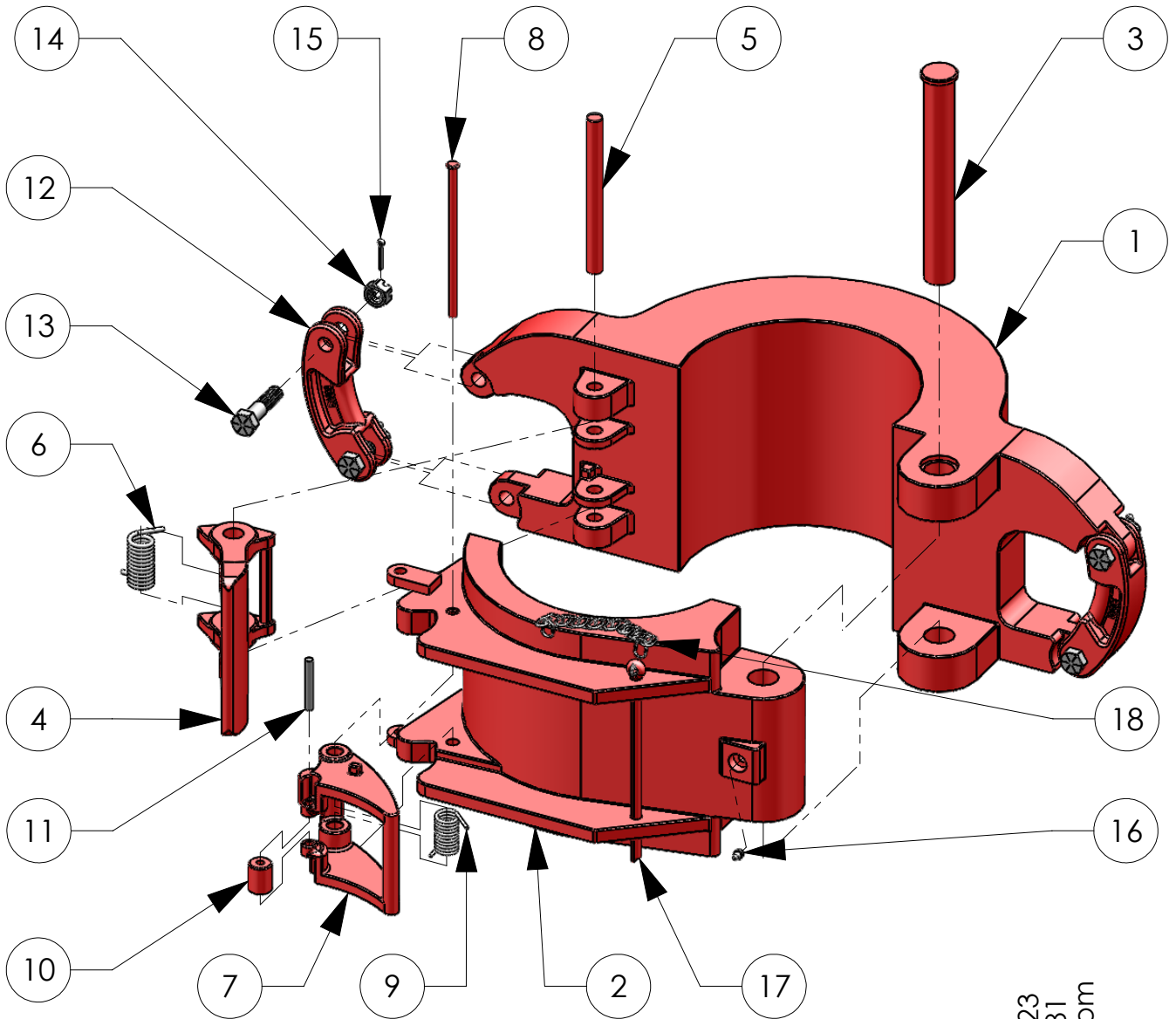


BVM SLX SERIES ELEVATOR



BVM CORPORATION
430 S. NAVAJO STREET, DENVER CO 80223
PHONE: 303-975-1402; FAX: 303-975-0981
www.bvmcorp.com; sales@bvmcorp.com

BVM SLX SERIES ELEVATOR

REF NO.	DESCRIPTION	NO. REQ	SLX 100	SLX 150	SLX 150	SLX 150	SLX 150	SLX 150
			4 1/2" - 5 1/2"	4 1/2" - 8 5/8"	9 5/8"-10 3/4"	11 3/4"-13 3/8"	16"	24" - 30"
			33854-***	31239-***	33950-***	33982-***	33632-***	33175-***
1	BODY	1	33854LC	31239LC	33950LC	33982LC	33632LC	33175LC
2	DOOR	1	33854RC	31239RC	33950RC	33982RC	33632RC	33175RC
3	HINGE PIN	1	34613	34611	33953	33985	33646	34179
4	LATCH	1	33813	31331	31331	31331	33634	33634
5	LATCH PIN	1	29980-3	32424-3	32424-3	32424-3	33645	33645
6	LATCH SPRING	1	33818	31383	31383	31383	33657	33657
7	LATCH LOCK	1	33812	31332	31332	31332	33635	33635
8	LATCH LOCK PIN	1	29980-3	29980-4	29980-4	29980-4	50713	50713
9	LATCH LOCK SPRING	1	33816	31404	31404	31404	33658	33658
10	ROLLER	1	33817	31407	31407	31407	31407	31407
11	ROLLER PIN	1	31584	31584	31584	31584	31584	31584
12	LINK BLOCK	2	32430	9519	9519	9519	9519	9519
13	LINK BLOCK BOLT	2	939051-65	8145	8145	8145	8145	8145
14	LINK BLOCK NUT	2	6810C-00-5	6812C-00-5	6812C-00-5	6812C-00-5	6812C-00-5	6812C-00-5
15	COTTER PIN	2	30AB0-12-0	30AB0-12-0	30AB0-12-0	30AB0-12-0	30AB0-12-0	30AB0-12-0
16	GREASE FITTING	1	940308-1	940308-1	940308-1	940308-1	940308-1	940308-1
17	PIN	1	30080-80-0	30080-80-0	30080-80-0	30080-80-0	30080-80-0	30080-80-0
18	CHAIN	1	A. R.	A. R.	A. R.	A. R.	A. R.	A. R.

REF NO.	DESCRIPTION	NO. REQ	SLX 250	SLX 250	SLX 250	SLX 250	SLX 250	SLX 250
			6 5/8" - 8 5/8"	9 5/8"-10 3/4"	11 3/4" - 13 3/8"	16" - 20"	24" - 30"	36"
			43239-***	43950-***	43982-***	43632-***	43175-***	43180-***
1	BODY	1	43239LC	43950LC	43982LC	43632LC	43175RC	43180LC
2	DOOR	1	43239RC	43950RC	43982RC	43632RC	43175LC	43180RC
3	HINGE PIN	1	33646-2	33646-2	33646-1	34179	34179	34179
4	LATCH	1	33634	33634	33634	33634	33634	33634
5	LATCH PIN	1	33645	33645	33645	33645	33645	33645
6	LATCH SPRING	1	33657	33657	33657	33657	33657	33657
7	LATCH LOCK	1	33635	33635	33635	33635	33635	33635
8	LATCH LOCK PIN	1	32424-2	32424-2	32424-2	32424-2	50713	50713
9	LATCH LOCK SPRING	1	33658	33658	33658	33658	33658	33658
10	ROLLER	1	31407	31407	31407	31407	31407	31407
11	ROLLER PIN	1	31584	31584	31584	31584	31584	31584
12	LINK BLOCK	2	9519	9519	9519	9519	9519	9519
13	LINK BLOCK BOLT	2	8145	8145	8145	8145	8145	8145
14	LINK BLOCK NUT	2	6812C-00-5	6812C-00-5	6812C-00-5	6812C-00-5	6812C-00-5	6812C-00-5
15	COTTER PIN	2	30AB0-12-0	30AB0-12-0	30AB0-12-0	30AB0-12-0	30AB0-12-0	30AB0-12-0
16	GREASE FITTING	1	940308-1	940308-1	940308-1	940308-1	940308-1	940308-1
17	PIN	1	30080-80-0	30080-80-0	30080-80-0	30080-80-0	30080-80-0	30080-80-0
18	CHAIN	1	A. R.	A. R.	A. R.	A. R.	A. R.	A. R.

*** = See Bore Code Charts

A.R. - as required