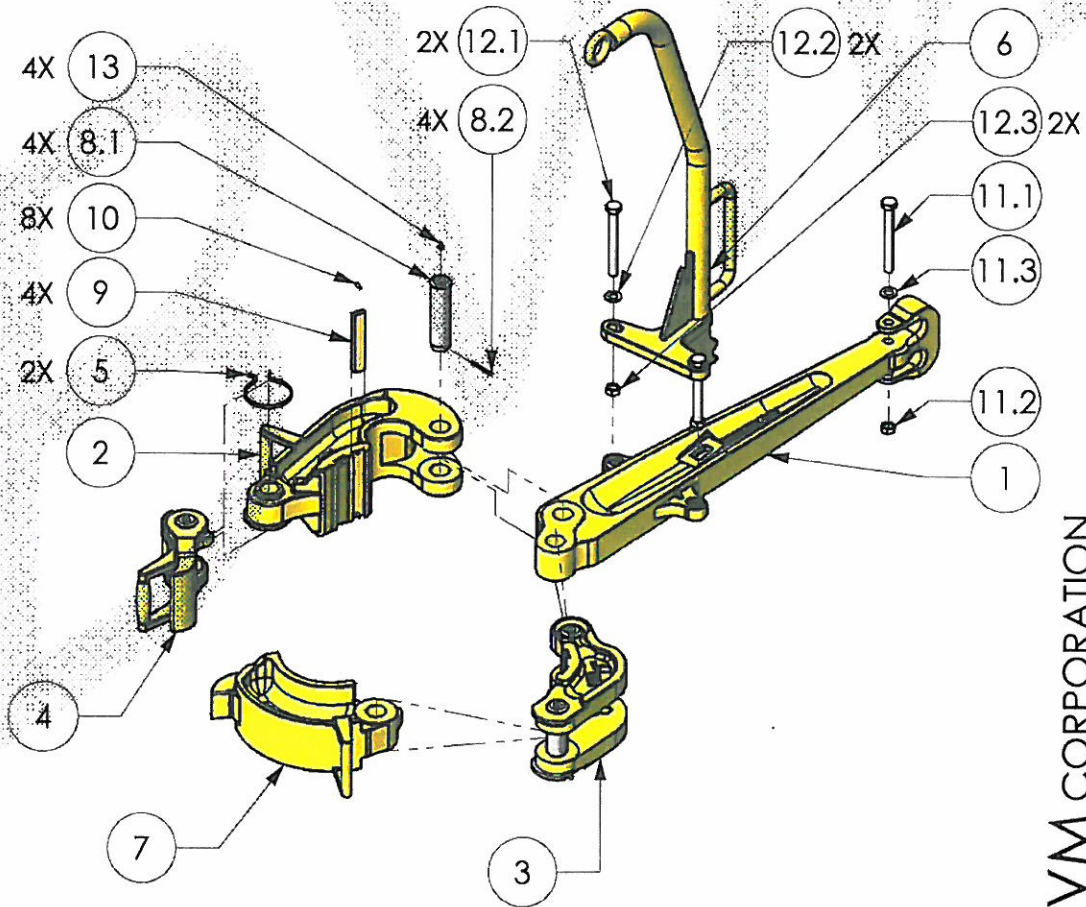
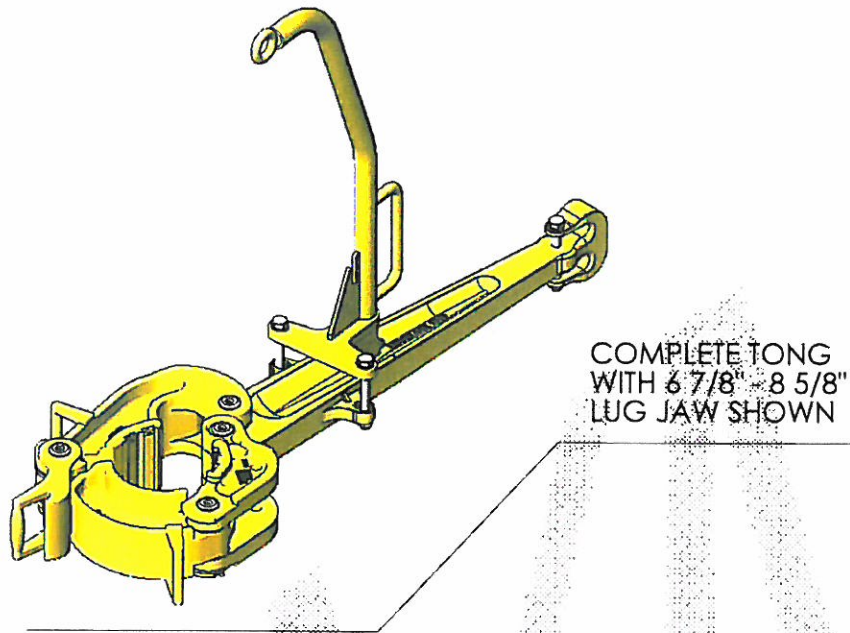


BVM MANUAL TYPE "AAX" TONG

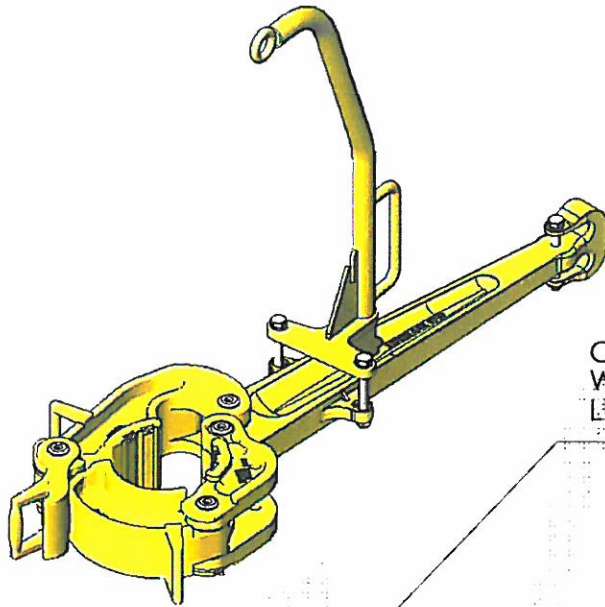


BVM CORPORATION
 430 S. NAVAJO STREET, DENVER CO 80223
 PHONE: 303-975-1402; FAX: 303-975-0981
 www.bvmcorp.com; sales@bvmcorp.com

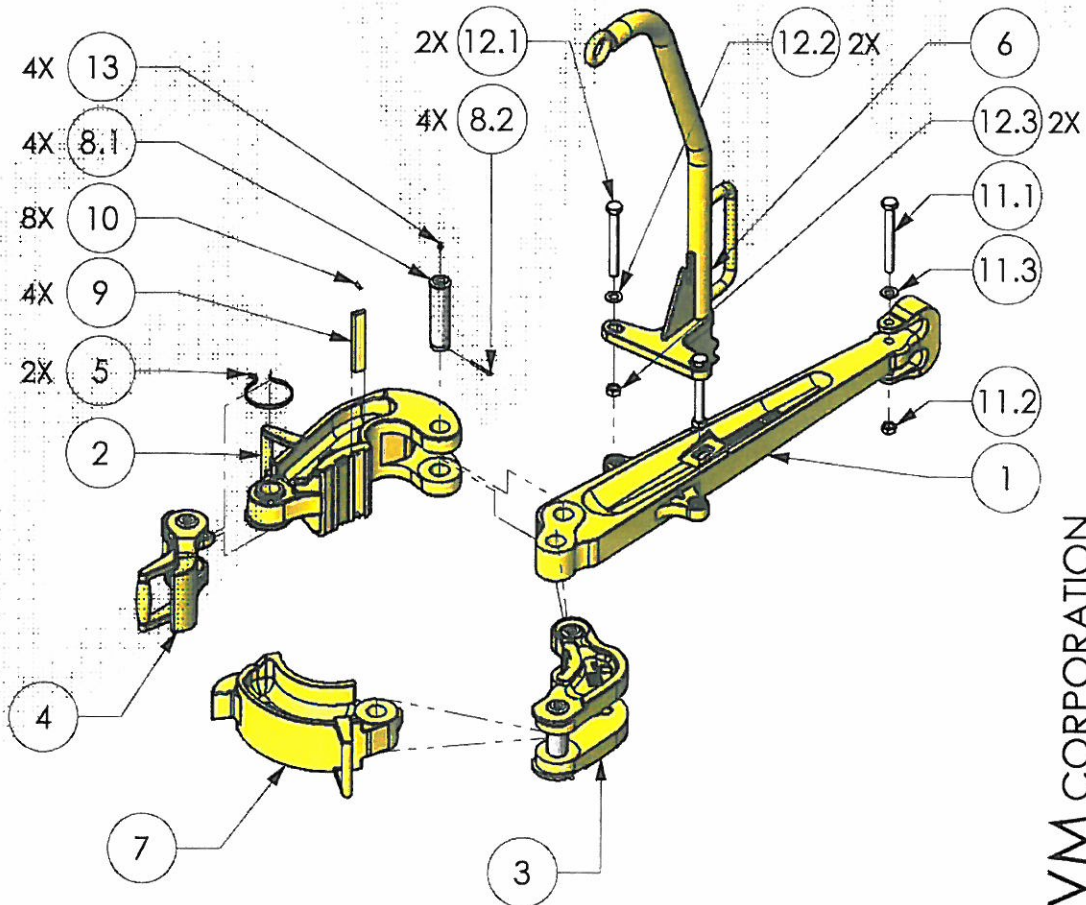
BVM MANUAL TYPE "AAX" TONG

ITEM NO	PART NO	SHOWN QTY	DESCRIPTION	WEIGHT (lbs)	TORQUE (ft/lbs)
-	1300-1	-	"TYPE AAX' TONG COMPLETE with 48" LEVER & HANGER, LESS LUG JAW FOR SIZE 2 7/8" - 13 3/8"	360.0	55,000
-	1300-2	-	"TYPE AAX' TONG COMPLETE with 42" LEVER & HANGER, LESS LUG JAW FOR SIZE 2 7/8" - 13 3/8"	360.0	55,000
-	1300-3	-	"TYPE AAX' TONG COMPLETE with 36" LEVER & HANGER, LESS LUG JAW FOR SIZE 2 7/8" - 13 3/8"	360.0	55,000
1	1310	1	48" LEVER "TYPE AAX"	124.2	-
	1311		42" SHORT LEVER "TYPE AAX"	113.1	-
	1312		36" SHORT LEVER "TYPE AAX"	103.9	-
2	1320	1	LONG JAW "TYPE AAX"	94.5	-
3	1330	1	SHORT JAW "TYPE AAX"	56.9	-
4	1350	1	LATCH "TYPE AAX"	25.1	-
5	1351	2	LATCH SPRING "TYPE AAX"	0.2	-
6	1360	1	HANGER "TYPE AAX"	30.0	-
7	1370		LUG JAW 2 7/8" - 3 3/4" "TYPE AAX"	33.4	55,000
	1371		LUG JAW 3 1/2" - 4 1/4" "TYPE AAX"	39.7	55,000
	1372		LUG JAW 4" - 5 1/4" "TYPE AAX"	38.6	55,000
	1373		LUG JAW 5" - 7 1/4" "TYPE AAX"	47.6	55,000
	1374	1	LUG JAW 6 7/8" - 8 5/8" "TYPE AAX"	56.6	35,000
	1375		LUG JAW 9" - 10 3/4" "TYPE AAX"	66.9	30,000
	1376		LUG JAW 10 3/4" - 11 3/4" "TYPE AAX"	73.6	30,000
	1377		LUG JAW 13 3/8" "TYPE AAX"	78.8	30,000
8	1380	4	HINGE PIN w/COTTER PIN	-	-
8.1	81-380		HINGE PIN	4.4	-
8.2	30040-16-0		COTTER PIN	0.0	-
9	196578	4	TONG DIE	0.8	-
10	40040-06-0	8	DIE RETAINER PINS	0.1	-
11	1390		TONG LINE RETAINER BOLT, NUT, & WASHER	-	-
11.1	1412C-56-5	1	BOLT	1.0	-
11.2	6212C-00-5	1	LOCKNUT	0.1	-
11.3	22120-00-0	1	FLAT WASHER	0.1	-
12	1365		HANGER ADJUSTMENT BOLT, NUT, & WASHER	-	-
12.1	1412C-64-5	2	BOLT	1.0	-
12.2	6212C-00-5	2	LOCKNUT	0.1	-
12.3	22120-00-0	2	FLAT WASHER	0.1	-
13	940308-1	4	GREASE FITTINGS	0.1	-

BVM MANUAL TYPE "AAX" CASING TONG



COMPLETE TONG
WITH 9 5/8" - 10 5/8"
LUG JAW SHOWN



BVM CORPORATION
 430 S. NAVAJO STREET, DENVER CO 80223
 PHONE: 303-975-1402; FAX: 303-975-0981
 www.bvmcorp.com; sales@bvmcorp.com

BVM MANUAL TYPE "AAX" CASING TONG

ITEM NO	PART NO	SHOWN QTY	DESCRIPTION	WEIGHT (lbs)	TORQUE (ft/lbs)
-	8531-5038	-	AAX CASING TONG COMPLETE FOR SIZE 9 5/8" TO 17" CASING C/W STANDARD 48" LEVER LESS LUG JAWS	363.0	25,000
-	8531-5044	-	AAX CASING TONG COMPLETE FOR SIZE 18 5/8" TO 24" CASING C/W STANDARD 48" LEVER LESS LUG JAWS	413.0	25,000
-	8531-5049	-	AAX CASING TONG COMPLETE FOR SIZE 30" TO 31 5/8" CASING C/W STANDARD 48" LEVER LESS LUG JAWS	400.0	25,000
1	1310	1	48" LEVER "TYPE AAX"	124.2	-
2	492	1	LONG JAW FOR 9 5/8" TO 17" CASING TYPE "AAX"	83.0	-
	491	1	LONG JAW FOR 18 5/8" TO 24" CASING TYPE "AAX"	88.0	-
	3092	1	LONG JAW FOR 30" TO 31 5/8" CASING TYPE "AAX"	108.0	-
3	494	1	SHORT JAW FOR 9 5/8" TO 17" CASING TYPE "AAX"	63.0	-
	496	1	SHORT JAW FOR 18 5/8" TO 24" CASING TYPE "AAX"	62.0	-
	3093	1	SHORT JAW FOR 30" TO 31 5/8" CASING TYPE "AAX"	86.0	-
4	1350	1	LATCH FOR TYPE AAX TONG	26.0	-
5	1351	2	LATCH SPRING TYPE AAX TONG	0.3	-
6	1360	1	HANGER FOR TYPE AAX TONG	52.0	-
7	493	1	LUG JAW FOR SIZE 9 5/8" TO 10 5/8" CASING TYPE AAX	55.0	-
	497		LUG JAW FOR SIZE 10 3/4" TO 11 3/4" CASING TYPE AAX	70.0	-
	498		LUG JAW FOR SIZE 11 3/4" TO 12 7/8" CASING TYPE AAX	75.0	-
	499		LUG JAW FOR SIZE 13 3/8" TO 14 3/8" CASING TYPE AAX	82.0	-
	4910		LUG JAW FOR SIZE 16" TO 17" CASING TYPE AAX	85.0	-
	4908		LUG JAW FOR SIZE 18" CASING TYPE AAX	90.0	-
	495		LUG JAW FOR SIZE 18 5/8" TO 19 5/8" CASING TYPE AAX	91.0	-
	490		LUG JAW FOR SIZE 20" TO 21" CASING TYPE AAX	91.0	-
	479		LUG JAW FOR SIZE 23" CASING TYPE AAX	120.0	-
	478		LUG JAW FOR SIZE 24" CASING TYPE AAX	120.0	-
	3091		LUG JAW FOR SIZE 30" CASING TYPE AAX	145.0	-
3117	LUG JAW FOR SIZE 31 5/8" CASING TYPE AAX	145.0	-		
8	1380		HINGE PIN C/W COTTER PIN FOR TYPE "AAX" TONG	4.5	-
8.1	81-380	4	HINGE PIN	4.4	-
8.2	30040-16-0	4	COTTER PIN	0.1	-
9	196578	4	TONG DIE FOR TYPE "AAX" TONG	1.0	-
10	40940-06-0	8	DIE RETAINER PIN	0.1	-
11	1390		TONG LINE RETAINER BOLT C/W NUT & WASHER "AAX" TONG	1.2	-
11.1	1412C-56-5	1	BOLT	1.0	-
11.2	6212C-00-5	1	LOCKNUT	0.1	-
11.3	22120-00-0	1	FLAT WASHER	0.1	-
12	1365		HANGER ADJUSTMENT BOLT C/W NUT & WASHER "AAX" TONG	1.2	-
12.1	1412C-60-5	2	BOLT	1.0	-
12.2	6212C-00-5	2	LOCKNUT	0.1	-
12.3	22120-00-0	2	FLAT WASHER	0.1	-
13	940308-1	4	GREASE FITTING	0.1	-