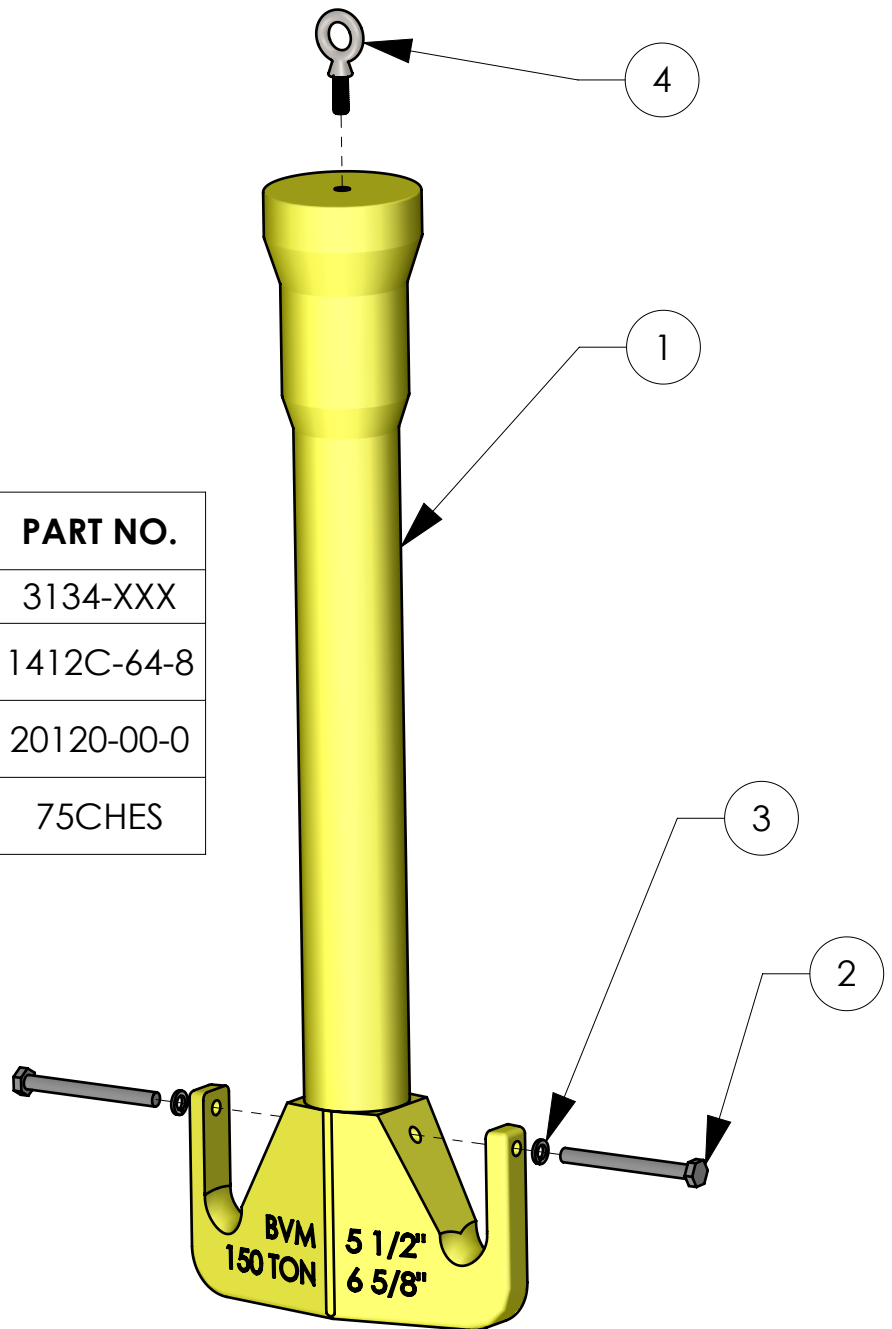


BVM BECKET / DRILL COLLAR DOLLY

The BVM Becket / Drill Collar Dolly allows for an efficient method for handling drill collars without having to remove the elevator from the links. The size range is 3-1/2" to 6 5/8" and are suitable for use with BVM perfection links.

PART NO.	SIZE	CAPACITY (TONS)	WEIGHT
3134-119	3 1/2" IU	150	355
3134-120-123	3 1/2" EU & 4 1/2" EU & 5" IEU	150	391
3134-123	4 1/2" EU & 5" IEU	150	480
3134-123-740	4 1/2" EU & 5" IEU & 6 5/8" IEU	150	561
3134-124-740	5 1/2" IEU & 6 5/8" IEU	150	571
3134-789	5 7/8" IEU	150	531

ITEM NO.	DESCRIPTION	QTY	PART NO.
1	BECKET	1	3134-XXX
2	HEX BOLT 3/4-10x8"	2	1412C-64-8
3	3/4" LOCKWASHER	2	20120-00-0
4	3/4-10 X 2" EYEBOLT	1	75CHES



BVM CORPORATION

430 S. NAVAJO STREET, DENVER CO 80223
 PHONE: 303-975-1402; FAX: 303-975-0981
 www.bvmcorp.com; sales@bvmcorp.com