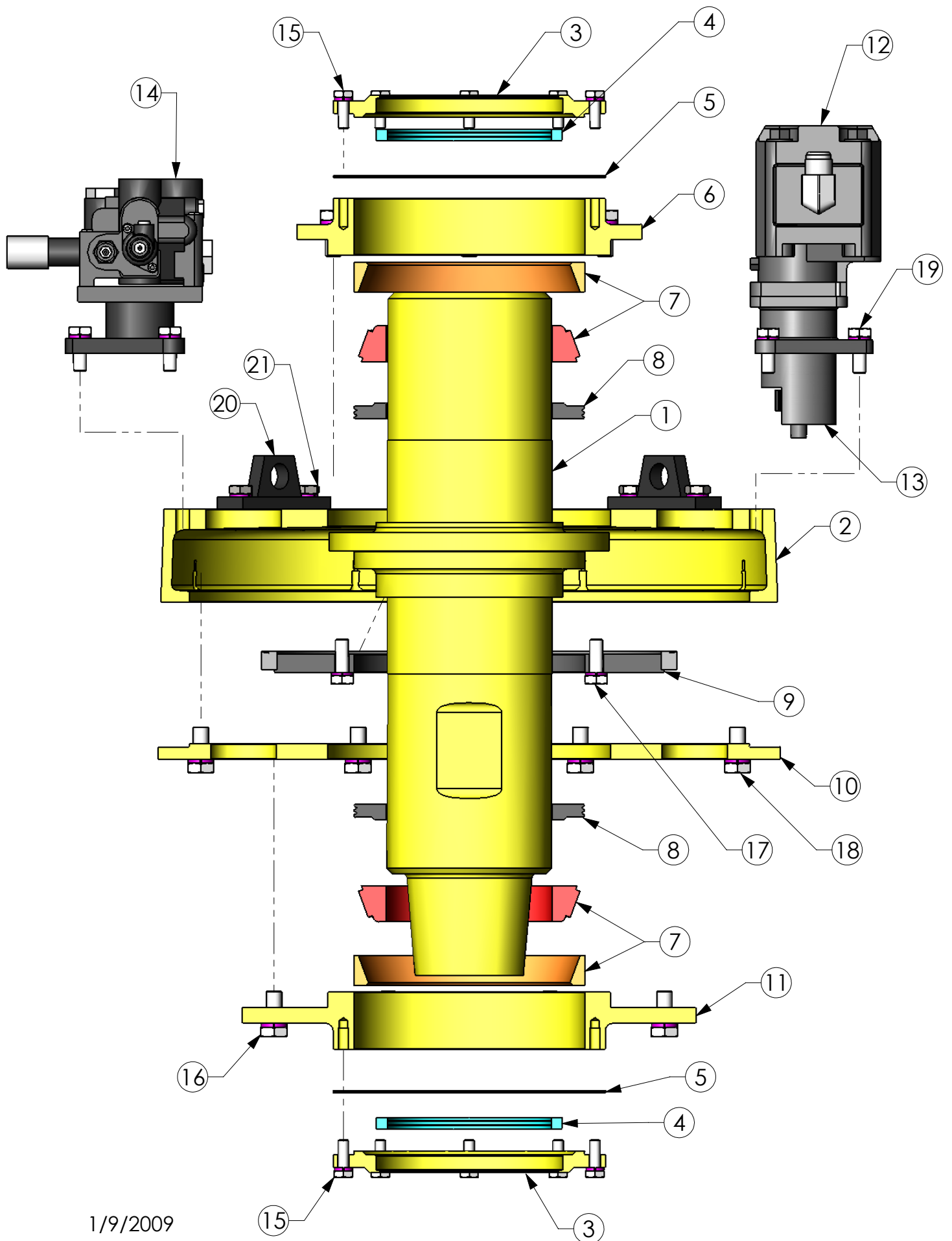


KELLY SPINNER - HYDRAULIC

Parts Illustration



KELLY SPINNER - HYDRAULIC

Part List

ITEM NO.	PART NO	QTY	DESCRIPTION
1	200602-C	1	SUB SHAFT
2	200600-B	2	SPINNER HOUSING
3	200604-E	2	BEARING AND SEAL RETAINERS
4	200604-A	2	GREASE SEALS
5	200603-C	2	SHIM SETS
6	200604-T	1	TOP BEARING HOUSING
7	200603-B	2	HOUSING BEARINGS (1 CUP, 1 CONE per ASSEMBLY)
8	200604-F	2	SLINGER RING
9	200607-C	1	RING GEAR (SOLID)
10	200601-B	1	LOWER PLATE COVER
11	200604-B	1	BOTTOM BEARING HOUSING
12	200220	1	BI-DIRECTIONAL HYDRAULIC MOTOR
13	10558	1	HYDRAULIC MOTOR ADAPTOR ASSEMBLY
14	200209	1	HYDRAULIC ACTUATED CONTROL VALVE
15	200658	2	BOLTS & LOCKWASHER SET (8 per RETAINER)
16	200659	2	BOLTS & LOCKWASHER SET (8 per BEARING HOUSING)
17	200609	1	BOLTS & LOCKWASHER SET (6 per GEAR)
18	200660	1	BOLTS & LOCKWASHER SET (8 per PLATE COVER)
19	200616	1	BOLTS & LOCKWASHER SET (3 per ADAPTOR MOTOR & VALVE)
20	200605-P	2	PAD EYE
21	200670	2	BOLTS & LOCKWASHER SET (2 per PAD EYE)