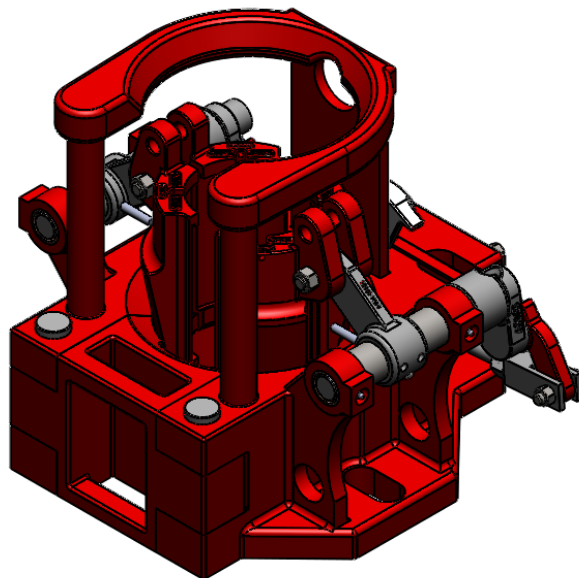
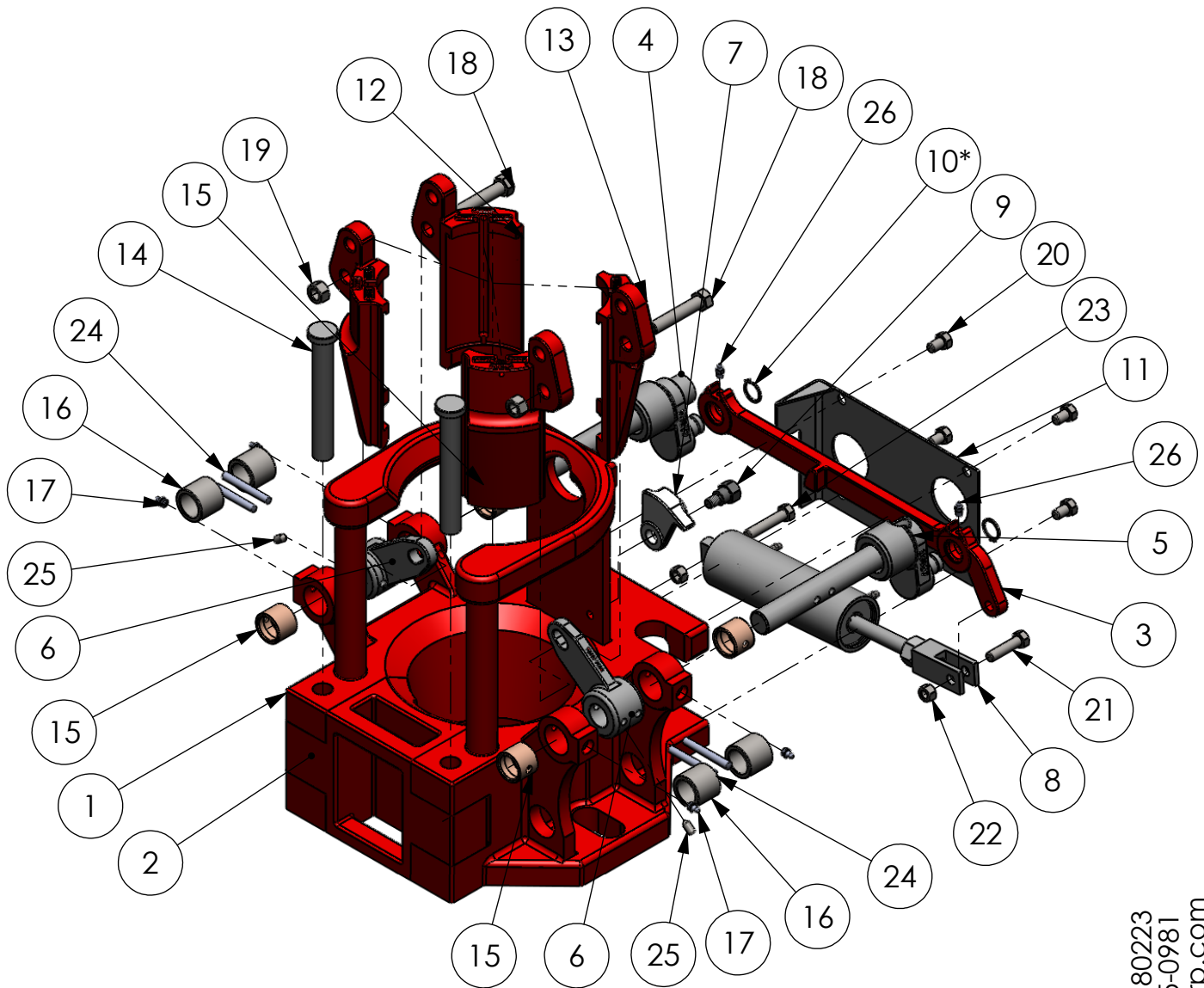


BVM TUBING SPIDER

The BVM Type "C" 83 Ton and "C-HD" 125 Ton Tubing Spider are pneumatically actuated to lower or raise tubing string which ranges in sizes from 1.315" to 5 1/2". Parts are made of alloy steel, magnetic particle inspected, providing a high strength and long wearing life. All steel specifications are certified.



BVM CORPORATION
430 S. NAVAJO STREET, DENVER CO 80223
PHONE: 303-975-1402; FAX: 303-975-0981
www.bvmcorp.com; sales@bvmcorp.com

BVM TUBING SPIDER

ITEM NO.	PART NUMBER	DESCRIPTION	QTY.
1	65101	Body Weldment	1
2	65102	Door	1
3	65103	Link Assembly	1
4	65104W	Left Hand Crank Assembly	1
5	65105W	Right Hand Crank Assembly	1
6	65106	Lifting Arm	2
7	65135	Safety Latch	1
8	65140	Air Cylinder Assembly	1
9	65136	Bolt for Safety Latch	1
10*	65122-1	HD External Retaining Ring Fastenal PN 1168019	2
11	65108	Safety Guard for Cylinder	1
12	865623-1	4 1/2" Slip	2
13	865623-2	4 1/2" Slip	2
14	65102-1	Body-Door Retaining Pin	2
15	65124	Crank Bushing	4
16	65126	Spacer	4
17	940308-1	1/8" NPT Grease Fitting	4
18	1410C-26-5	5/8-11x3 1/4 (HBOLT 0.6250-11x3.25x1.5-C)	2
19	6010C-00-5	5/8-11 (HNUT 0.6250-11-D-N)	2
20	1408C-06-5	1/2-13x3/4 (HBOLT 0.5000-13x0.75x0.75-N)	4
21	1408C-16-5	1/2-13x2 (HBOLT 0.5000-13x2x1.25-N)	1
22	6008C-00-5	1/2-13 (HNUT 0.5000-13-D-N)	2
23	1408C-20-5	1/2-13x2 1/2 (HBOLT 0.5000-13x2.5x1.25-N)	1
24	65119	Lifting Arm Tapered Pin	4
25	7006F-06-5	3/8-24x3/4 (SSCONESKT 0.375-24x0.75-HX-N)	2
26	-	1/16 NPT Grease Fitting	2

* For lot numbers 31441 or lower use old P/N 65122