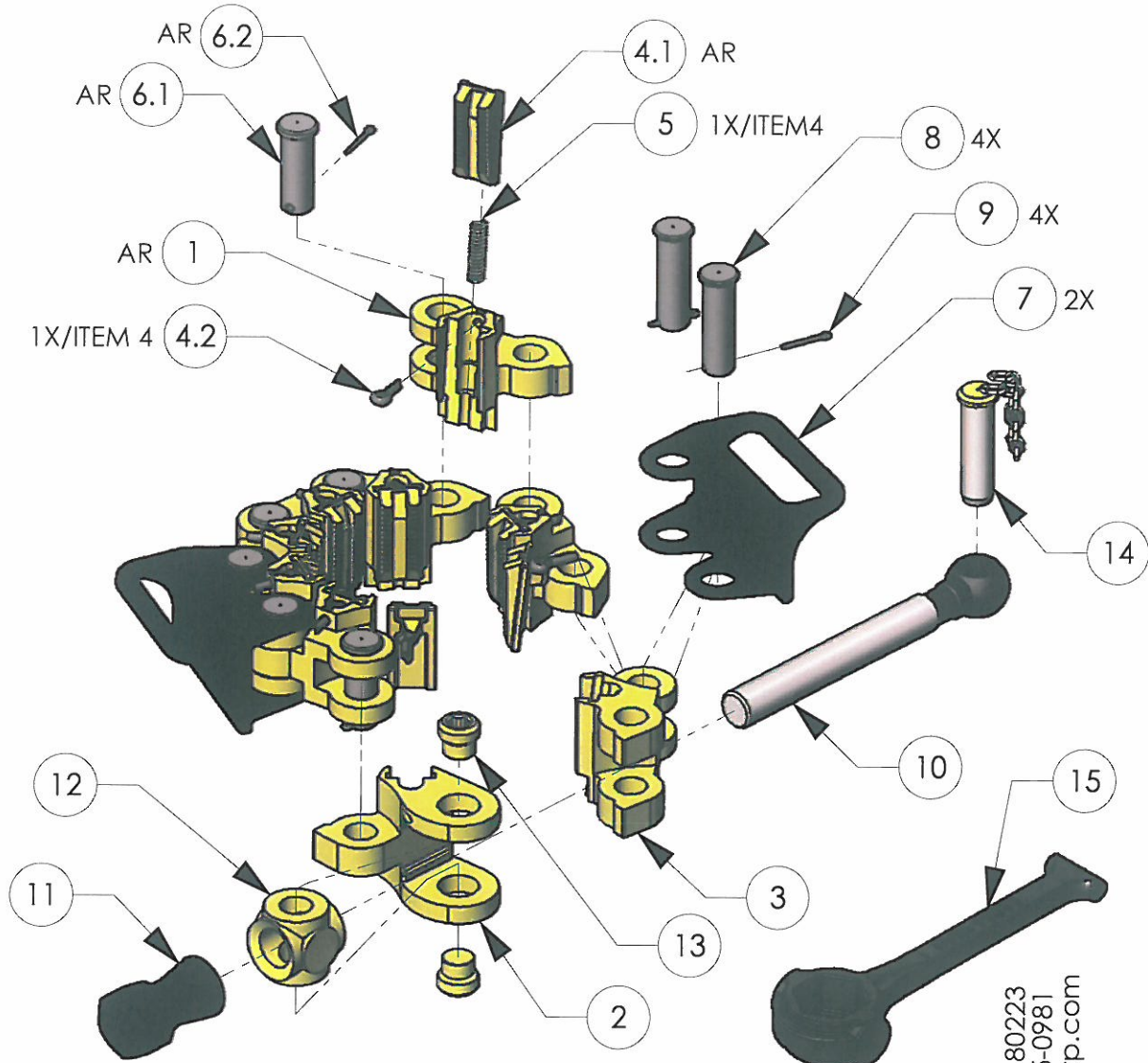


BVM "C" SAFETY CLAMP

The BVM "C" Safety Clamp is designed to handle drill collars and tubulars with flush joints or low profile shoulders. If the load is increased or the pipe is dropped the BVM web shaped dies with grip tighter. BVM "C" Safety Clamp comes in sizes to fit pipe sizes from 3 3/4" to 21". The "C" Safety Clamp is made from alloy steel, heat treated and magnetic particle inspected. All steel specifications are certified.



AR = AS REQUIRED



CS99502 SHOWN

7/17/13

BVM CORPORATION
 430 S. NAVAJO STREET, DENVER CO 80223
 PHONE: 303-975-1402; FAX: 303-975-0981
 www.bvmcorp.com; sales@bvmcorp.com

BVM C SAFETY CLAMP

Replacement parts

ITEM NO.	PART NO	O.M.F. P/N	QTY	DESCRIPTION	WEIGHT
-	99613	7624-A-7	-	COMPLETE LINK ASSEMBLY	-
1	99601	7624-A-1	AR	CENTER LINK	3.4
2	99600	7624-A-24	1	END LINK PIVOT BLOCK	4.1
3	99602	7624-A-3	1	END LINK SCREW	4.4
4	99608-1	7624-A-1	-	INSERT w/COTTER PIN	-
4.1	99608	-	AR	INSERT	0.5
4.2	30030-06-0	900620-65	1/Item 4	COTTER PIN	0.1
5	99609	7624-E-5	1/Item 4	INSERT SPRING	-
6	99607-1	-	AR	INTERMEDIATE LINK PIN w/COTTER PIN	-
6.1	99607	7624-C-5	1/Item 6	INTERMEDIATE LINK PIN	0.7
6.2	30030-10-0	900620-38	1/Item 6	COTTER PIN	0.1
7	99603	7624-5138	2	HANDLE	4.3
8	99617	-	4	HANDLE LINK PIN	0.9
9	30030-10-0	900620-38	4	COTTER PIN	0.1
10	99604	7624-A-5	1	SCREW	4.0
11	99606	7624-B-5	1	NUT	1.6
12	99605	7624-A-5000	1	PIVOT BLOCK	1.4
13	99614	7624-D-5	2	PIVOT BLOCK SCREW	0.3
14	99610	7624-F-5	1	END LINK PIN w/CHAIN	-
14.1	99610-1	-	-	END LINK PIN	0.9
14.2	-	-	-	CHAIN	-
-	99621	900533-12	-	PIVOT BLOCK SCREW WRENCH	0.2
15	99611	7624-A-25	-	NUT WRENCH	4.7
-	99612	7624-A-9	-	SAFETY CLAMP BOX	45.0
-	99622	7624-A-39	-	SAFETY CLAMP BOX w/LARGE HANDLE CLEVIS	80.0
-	99618	7624-A-29	-	LARGE HANDLE CLEVIS, ONLY	9.0
-	99619	7624-B-13	-	BOLT, LARGE HANDLE CLEVIS w/NUT	2.0
-	99620	7624-A-13	-	HOLD DOWN EAR COMPLETE	15.0

Safety Clamp Complete with Inserts less Box

COLLAR SIZE	BVM P/N	O.E.M. P/N	TOTAL NO. LINKS REQ. PER SIZE	WEIGHT (lbs)	
3 3/4" - 4 5/8"	CS99500	7624-5007	7	60	
4 1/2" - 5 5/8"	CS99501	7624-5008	8	66	
5 1/2" - 6 5/8"	CS99502	7624-5009	9	70	
6 1/2" - 7 5/8"	CS99503	7624-5010	10	76	
7 1/2" - 8 5/8"	CS99504	7624-5011	11	81	
8 1/2" - 9 5/8"	CS99505	7624-5012	12	86	
9 1/2" - 10 5/8"	CS99506	7624-5013	13	91	
10 1/2" - 11 5/8"	CM99507	7624-5014	14	95	
11 1/2" - 12 5/8"	CM99508	7624-5015	15	103	
12 1/2" - 13 5/8"	CM99509	7624-5016	16	108	
13 1/2" - 14 5/8"	CM99510	7624-5017	17	113	
14 1/2" - 15 5/8"	CM99511	7624-5018	18	118	
15 1/2" - 18"	CL99512	7624-5019	18	123	
16 1/2" - 19"	CL99513	7624-5020	19	125	
17 1/2" - 20"	CL99514	7624-5021	20	133	
18 1/2" - 20"	CL99515	7624-5022	21	139	
19 1/2" - 21"	CL99516	7624-5023	22	143	
21 1/2" - 23"	CL99517	7624-5024	24	150	
24 1/2" - 26"	CL99518	7624-5025	28	160	Double Screw
29 1/2" - 31"	CL99519	7624-5026	33	177	Double Screw
35 1/2" - 37"	CL99525		38	197	Double Screw
41 1/2" - 43"	CL99526		44	218	Double Screw

NOTE: When ordering, please specify the number of links desired.
(Each link equals one inch).

Part Number CS99500 comes with only one handle.

Type "CS" and "CM" Clamp comes with two handles.

Type "CL" comes with four handles.

When ordering, specify if hold down ears or lifting clevis are needed.