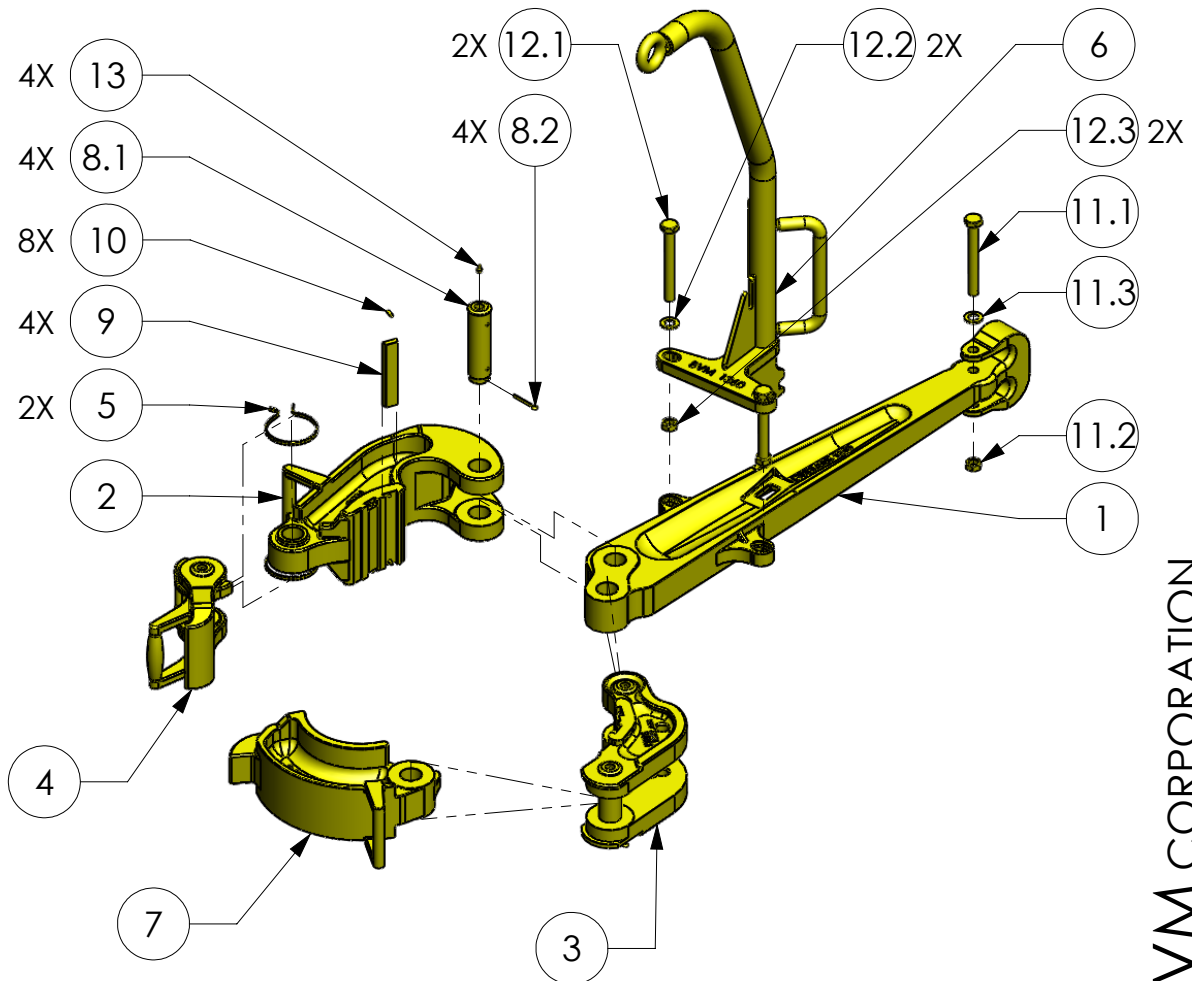
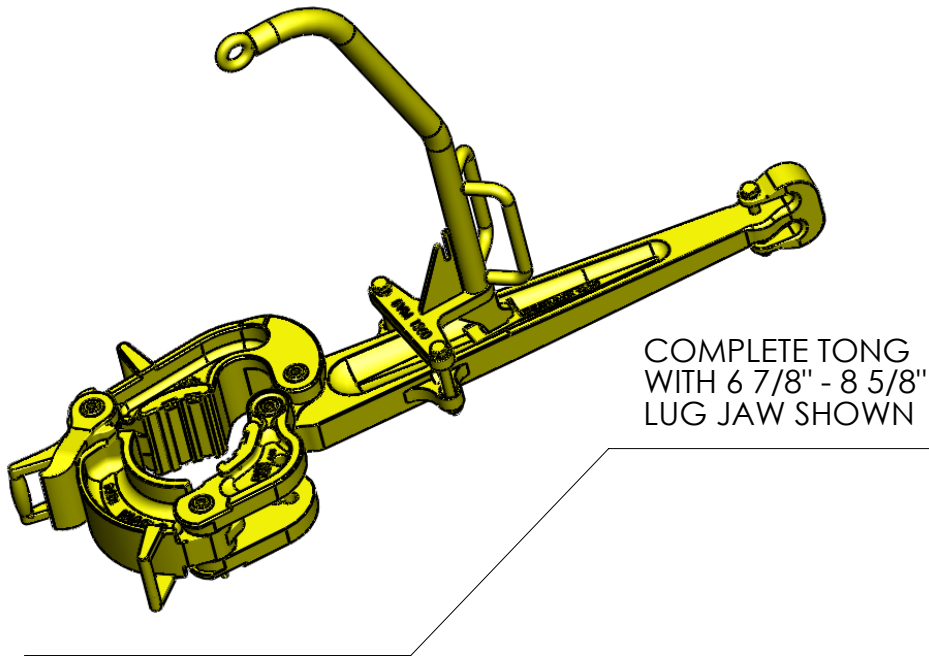


BVM MANUAL TYPE "AAX" TONG



BVM CORPORATION
 430 S. NAVAJO STREET, DENVER CO 80223
 PHONE: 303-975-1402; FAX: 303-975-0981
 www.bvmcorp.com; sales@bvmcorp.com

BVM MANUAL TYPE "AAX" TONG

ITEM NO	PART NO	SHOWN QTY	DESCRIPTION	WEIGHT (lbs)	TORQUE (ft/lbs)
--	1300-1	--	"TYPE AAX" TONG COMPLETE with 48" LEVER & HANGER, LESS LUG JAW FOR SIZE 2 7/8" - 13 3/8"	360.0	55,000
--	1300-2	--	"TYPE AAX" TONG COMPLETE with 42" LEVER & HANGER, LESS LUG JAW FOR SIZE 2 7/8" - 13 3/8"	360.0	55,000
--	1300-3	--	"TYPE AAX" TONG COMPLETE with 36" LEVER & HANGER, LESS LUG JAW FOR SIZE 2 7/8" - 13 3/8"	360.0	55,000
1	1310	1	48" LEVER "TYPE AAX"	124.2	--
	1311		42" SHORT LEVER "TYPE AAX"	113.1	--
	1312		36" SHORT LEVER "TYPE AAX"	103.9	--
2	1320	1	LONG JAW "TYPE AAX"	94.5	--
3	1330	1	SHORT JAW "TYPE AAX"	56.9	--
4	1350	1	LATCH "TYPE AAX"	25.1	--
5	1351	2	LATCH SPRING "TYPE AAX"	0.2	--
6	1360	1	HANGER "TYPE AAX"	30.0	--
7	1370		LUG JAW 2 7/8" - 3 3/4" "TYPE AAX"	33.4	55,000
	1371		LUG JAW 3 1/2" - 4 1/4" "TYPE AAX"	39.7	55,000
	1372		LUG JAW 4" - 5 1/4" "TYPE AAX"	38.6	55,000
	1373		LUG JAW 5" - 7 1/4" "TYPE AAX"	47.6	55,000
	1374	1	LUG JAW 6 7/8" - 8 5/8" "TYPE AAX"	56.6	35,000
	1375		LUG JAW 9" - 10 3/4" "TYPE AAX"	66.9	30,000
	1376		LUG JAW 10 3/4" - 11 3/4" "TYPE AAX"	73.6	30,000
	1377		LUG JAW 13 3/8" "TYPE AAX"	78.8	30,000
8	1380	4	HINGE PIN w/COTTER PIN	--	--
8.1	81-380		HINGE PIN	4.4	--
8.2	30040-16-0		COTTER PIN	0.0	--
9	67430	4	TONG DIE	0.8	--
10	40040-06-0	8	DIE RETAINER PINS	0.1	--
11	1390		TONG LINE RETAINER BOLT, NUT, & WASHER	--	--
11.1	1412C-56-5	1	BOLT	1.0	--
11.2	6212C-00-5	1	LOCKNUT	0.1	--
11.3	22120-00-0	1	FLAT WASHER	0.1	
12	1365		HANGER ADJUSTMENT BOLT, NUT, & WASHER	--	--
12.1	1412C-64-5	2	BOLT	1.0	--
12.2	6212C-00-5	2	LOCKNUT	0.1	--
12.3	22120-00-0	2	FLAT WASHER	0.1	
13	940308-1	4	GREASE FITTINGS	0.1	--