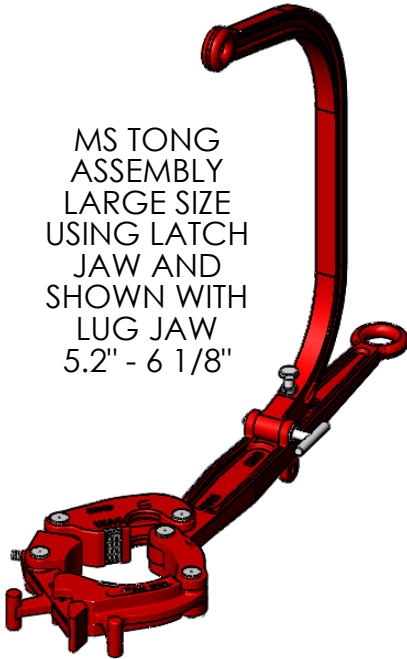


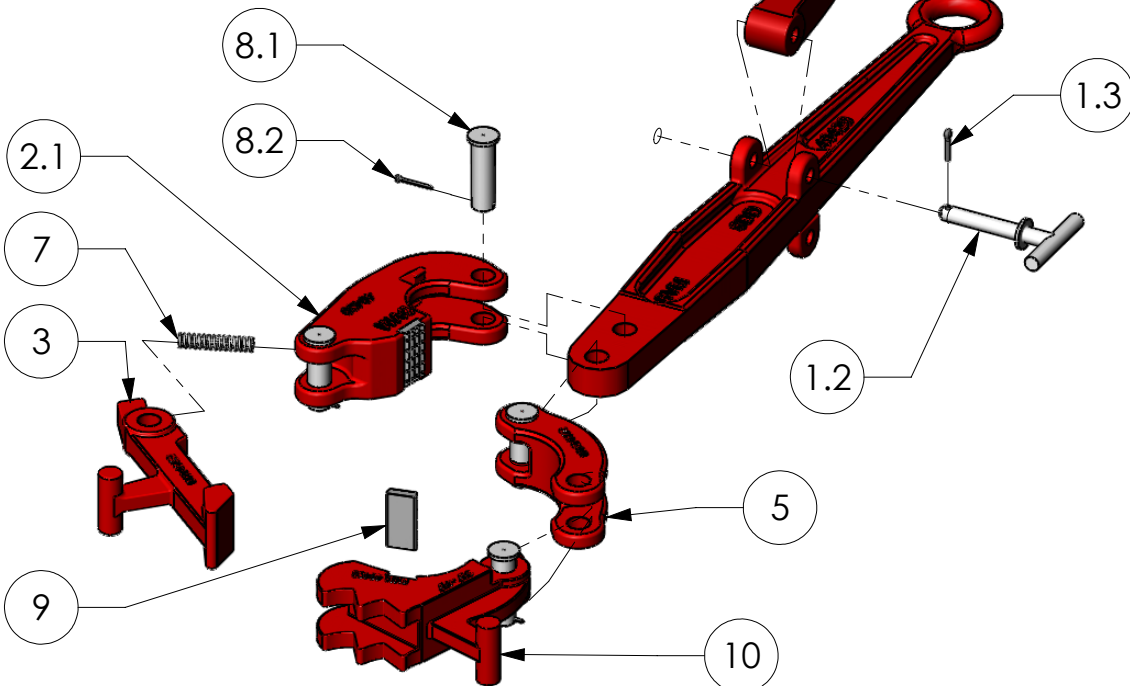
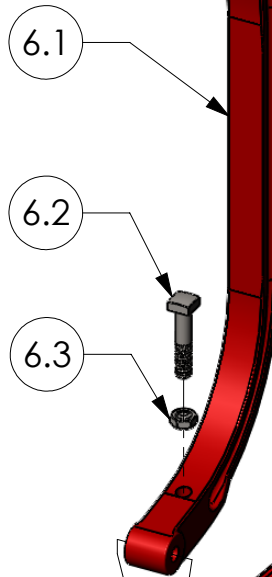
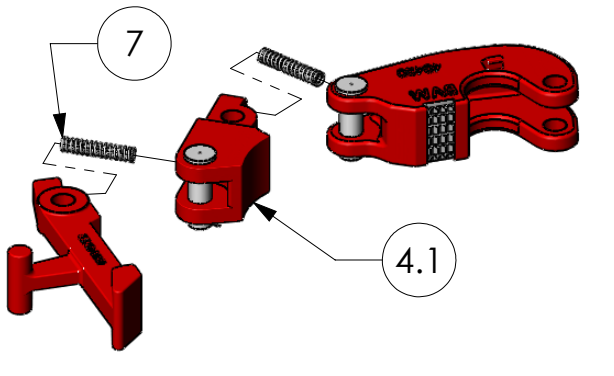
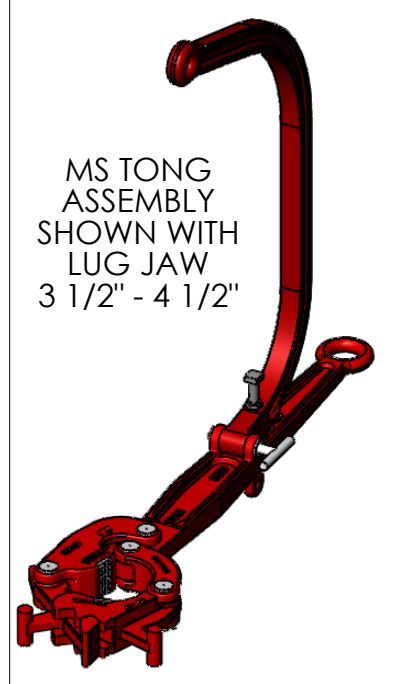
BVM MANUAL TYPE "MS" TONG 6,500 ft-lbs TORQUE

BVM Type "MS" Tong is ideal for drilling and tubing work. Also used for seismographic, shot hole and exploration drilling. Like all other BV Tongs a 3 Jaw design permits the jaws a uniform contact around the pipe. Jaw sizes range from 1.900" through 6 1/8" OD. All steel specifications are certified.

MS TONG
ASSEMBLY
LARGE SIZE
USING LATCH
JAW AND
SHOWN WITH
LUG JAW
5.2" - 6 1/8"



MS TONG
ASSEMBLY
SHOWN WITH
LUG JAW
3 1/2" - 4 1/2"



BVM CORPORATION
430 S. NAVAJO STREET, DENVER CO 80223
PHONE: 303-975-1402; FAX: 303-975-0981
www.bvmcorp.com; sales@bvmcorp.com2611

BVM MANUAL TYPE "MS" TONG 6,500 ft-lbs TORQUE

ITEM NO.	DESCRIPTION	QTY REQ.	PART NO.	WEIGHT EACH (lbs)
--	TYPE "MS" TONG COMPLETE LESS LUG JAWS (1.900" - 4 1/2")	--	40423	42.5
1	LEVER ASSEMBLY	1	40429-1	13.8
1.1	LEVER	--	40429	13.2
1.2	HANGER PIN	--	10425	0.4
1.3	COTTER PIN	--	30AB0-06-0	0.1
2	LONG JAW ASSEMBLY INCLUDES ITEM 2.1A, 8, & 9	1	40430-1	8.0
2.1	LONG JAW	--	40430	7.2
3	LATCH	1	40432	3.1
4	LATCH JAW ASSEMBLY (4 1/2" TO 6 1/8") INCLUDES ITEM 4.1, 8, & 9	1	40443-1	4.2
4.1	LATCH JAW (4 1/2" TO 6 1/8")	--	40443	3.4
5	SHORT JAW (1.9" TO 3 1/2")	1	40431	3.0
	SHORT JAW (4 1/2" TO 6 1/8")	1	40442	3.2
6	HANGER ASSEMBLY	1	40435-1	14.0
6.1	HANGER	--	40435	13.7
6.2	SCREW	--	8008C-20-8	0.2
6.3	NUT	1	6108C-00-8	0.1
7	LATCH SPRING	1 *	40434	0.1
8	HINGE PIN ASSEMBLY	--	40433-1	0.5
8.1	HINGE PIN REMOVABLE	--	40433	0.3
8.2	COTTER PIN	--	30020.08-0	0.1
9	DIE (AS REQUIRED)	--	40440	0.3
10.1A	LUG JAW 1.9" TO 2 1/16"	1	40436	3.9
10.1B	LUG JAW 2 3/8" - 3.668"	1	40437	4.3
10.1C	LUG JAW 3 1/2" TO 4 1/2"	1	40438	5.5
10.1D	LUG JAW 4 1/2" TO 5 1/4"	1	40439	6.1
10.1E	LUG JAW 5.2" - 6 1/8"	1	40441	6.4

* = WHEN ITEM 4 (LATCH JAW) IS USED ON LARGER ASSEMBLIES, THE QUANTITY FOR ITEM 7 (LATCH SPRING) INCREASES TO 2.