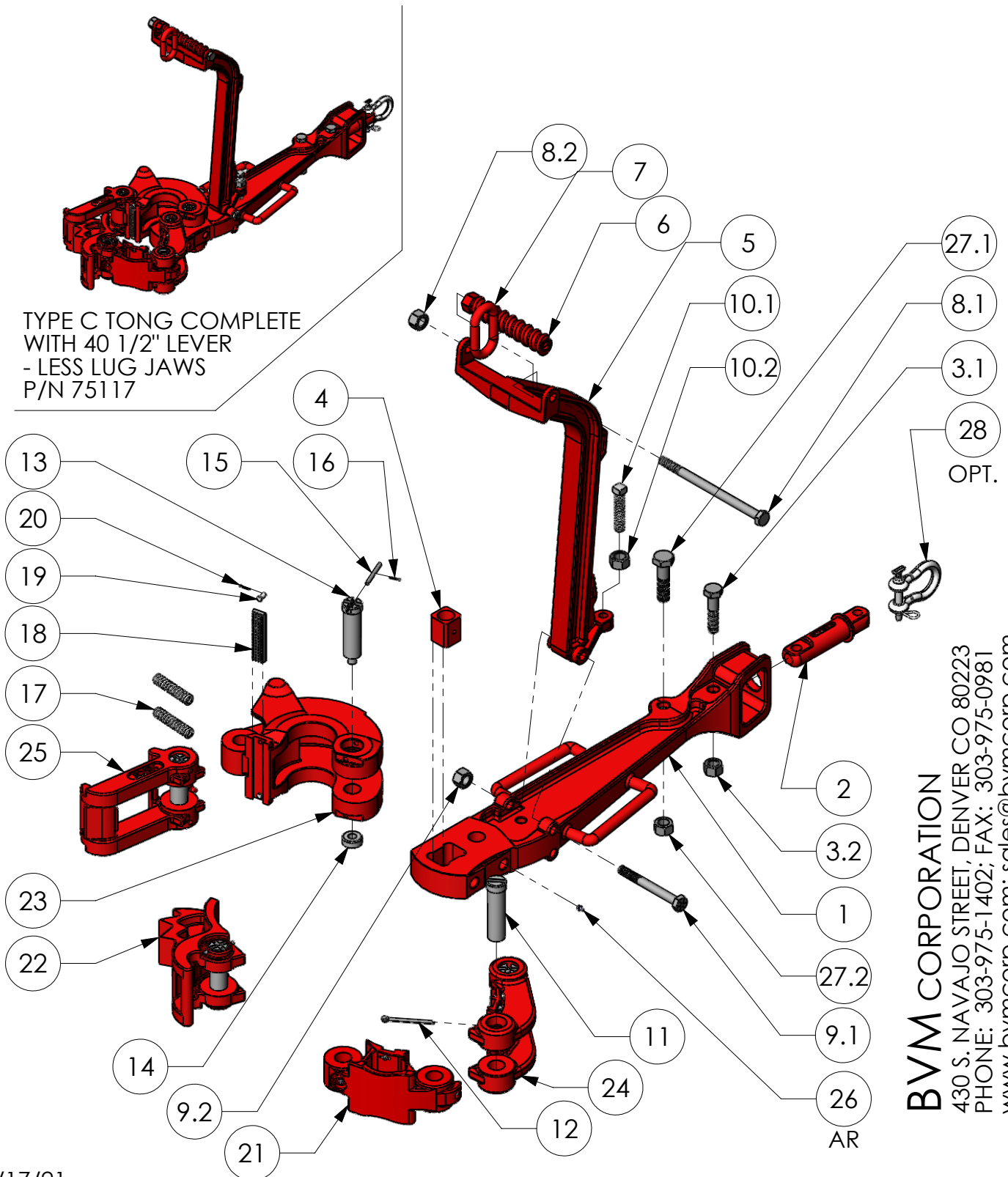


BVM MANUAL TYPE "C" TONG 35,000 ft-lbs TORQUE

The BVM Type "C" Tong covers drill pipe or casing sizes from 2 3/8" through 10 3/4" OD and is mostly used on smaller rigs. The new rugged latch design makes the "C" Tong stronger than other models and also can be ordered with an optional 30 7/8" lever, where space is a problem. The tong is made from alloy steel, heat treated, load tested and magnetic particle inspected. All specifications are certified.



BVM CORPORATION
 430 S. NAVAJO STREET, DENVER CO 80223
 PHONE: 303-975-1402; FAX: 303-975-0981
 www.bvmcorp.com; sales@bvmcorp.com

BVM MANUAL TYPE "C" TONG

| ITEM NO. | DESCRIPTION | QTY REQ. | PART NO. | WEIGHT EACH (lbs) |
|----------|---|----------|----------------------|-------------------|
| -- | TYPE C TONG COMPLETE WITH 40 1/2" LEVER - LESS LUG JAWS (30 7/8") | -- | 75117-L (75117-S) | 276 (266) |
| -- | LONG LEVER ASSEMBLY (ITEMS 1, 2, 3, 4, 9, 26, 27) | -- | 75180-1 | -- |
| -- | SHORT LEVER ASSEMBLY (ITEMS 1, 2, 3, 4, 9, 26, 27) | -- | 75180-2 | -- |
| 1 | 40 1/2" LEVER | 1 | 75180-A | 86.9 |
| | 30 7/8" LEVER | | 75180-B | 76.0 |
| 2 | TONG LINE PIN | 1 | 67269 | 6.9 |
| 3 | TONG BOLT & NUT | 1 | 75182 | -- |
| 3.1 | BOLT | -- | 1414C-32-8 | 0.1 |
| 3.2 | LOCKNUT | -- | 6214C-00-8 | 0.1 |
| 4 | LEVER PIN BLOCK | 1 | 75183 | 1.5 |
| -- | HANGER ASSEMBLY | -- | 67264-1 | 44.0 |
| 5 | HANGER | 1 | 67264 | 37.4 |
| 6 | HANGER BALANCING SCREW | 1 | 67258 | 3.0 |
| 7 | SUSPENSION RING | 1 | 67267 | 1.5 |
| 8 | HANGER BALANCING BOLT & NUT | 1 | 67266 | -- |
| 8.1 | BOLT | -- | 1412C-96-5 | 0.1 |
| 8.2 | LOCKNUT | -- | 6212C-00-5 | 0.1 |
| 9 | HANGER BOLT, NUT & COTTER PIN | 1 | -- | -- |
| 9.1 | BOLT | -- | 1412C-56-5 | 0.1 |
| 9.2 | LOCKNUT | -- | 6212C-00-5 | 0.1 |
| 10 | ADJUSTMENT BOLT & NUT | 1 | 67268 | -- |
| 10.1 | BOLT | -- | 8014C-32-5 | 0.1 |
| 10.2 | NUT | -- | 6114C-00-0 | 0.1 |
| 11 | HINGE PIN - REMOVABLE | 1 | 75656 | 3.0 |
| 12 | COTTER PIN | 1 | 30050-32-0 | 0.1 |
| 13 | HINGE PIN - THREADED | 4 | 75657 | 2.8 |
| 14 | HINGE PIN NUT | 4 | 75658 | 0.4 |
| 15 | HINGE PIN RETAINER PIN | 4 | 67423 | 0.2 |
| 16 | COTTER PIN | 4 | 30020-06-0 | 0.1 |
| 17 | LATCH SPRING | 2 | 67429 | 0.1 |
| 18 | TONG DIE | 4 | 80401 | 1.0 |
| 19 | CLEVIS PIN | AR | 55060-06-0* | 0.1 |
| 20 | COTTER PIN | 8 | 30020-06-0 | 0.1 |
| -- | LATCH JAW ASSEMBLY 7" TO 8 5/8" | -- | 75701-1 | 61.0 |
| 21 | HINGE JAW 7" TO 8 5/8" | 1 | 75702 | 25.9 |
| 22 | LATCH LUG JAW 7" TO 8 5/8 | 1 | 75941 | 33.8 |
| -- | LATCH JAW ASSEMBLY 9 5/8" TO 10 3/4" | -- | 75703-1 | 76.0 |
| -- | HINGE JAW 9 5/8" TO 10 3/4" | -- | 75704 | 35.1 |
| -- | LATCH LUG JAW 9 5/8" TO 10 3/4" | -- | 75799 | 39.3 |
| -- | LONG JAW ASSEMBLY - INCLUDES ITEMS 18, 19, 20, 23, 26 | -- | 75801-1 | 73.0 |
| 23 | LONG JAW | 1 | 75801 | 71.6 |
| -- | SHORT JAW ASSEMBLY - INCLUDES ITEMS 18, 19, 20, 24 | -- | 75802-1 | 32.4 |
| 24 | SHORT JAW | 1 | 75802 | 31.0 |
| 25 | LATCH | 1 | 75699 | 24.9 |
| -- | LUG JAW 2 3/8" TO 3.668" | -- | 75728 | 25.6 |
| -- | LUG JAW 2 7/8" TO 4 1/4" | -- | 75727 | 27.7 |
| -- | LUG JAW 3 1/2" TO 5 1/4" | -- | 75939 | 32.7 |
| -- | LUG JAW 4 1/2" TO 6 1/2" | -- | 75943 | 42.2 |
| -- | LUG JAW 5 1/4" TO 7" | -- | 75940 | 55.0 |
| 26 | GREASE FITTINGS | AR | 940308-1 | 0.1 |
| 27 | BOLT & NUT | 1 | -- | -- |
| 27.1 | BOLT | -- | 1416C-32-8 | 0.1 |
| 27.2 | LOCKNUT | -- | 6216C-00-8 | 0.1 |
| 28 | CLEVIS ASSEMBLY OPTIONAL | -- | 45711 | 2.0 |

AR = AS REQUIRED