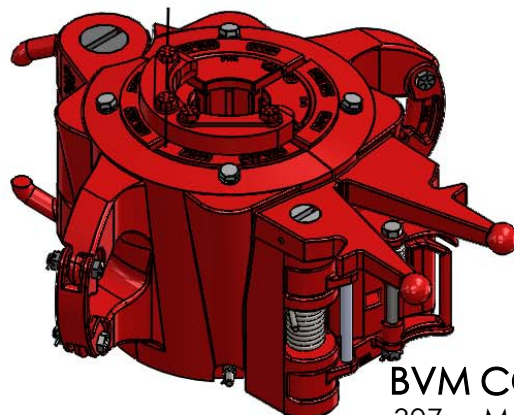
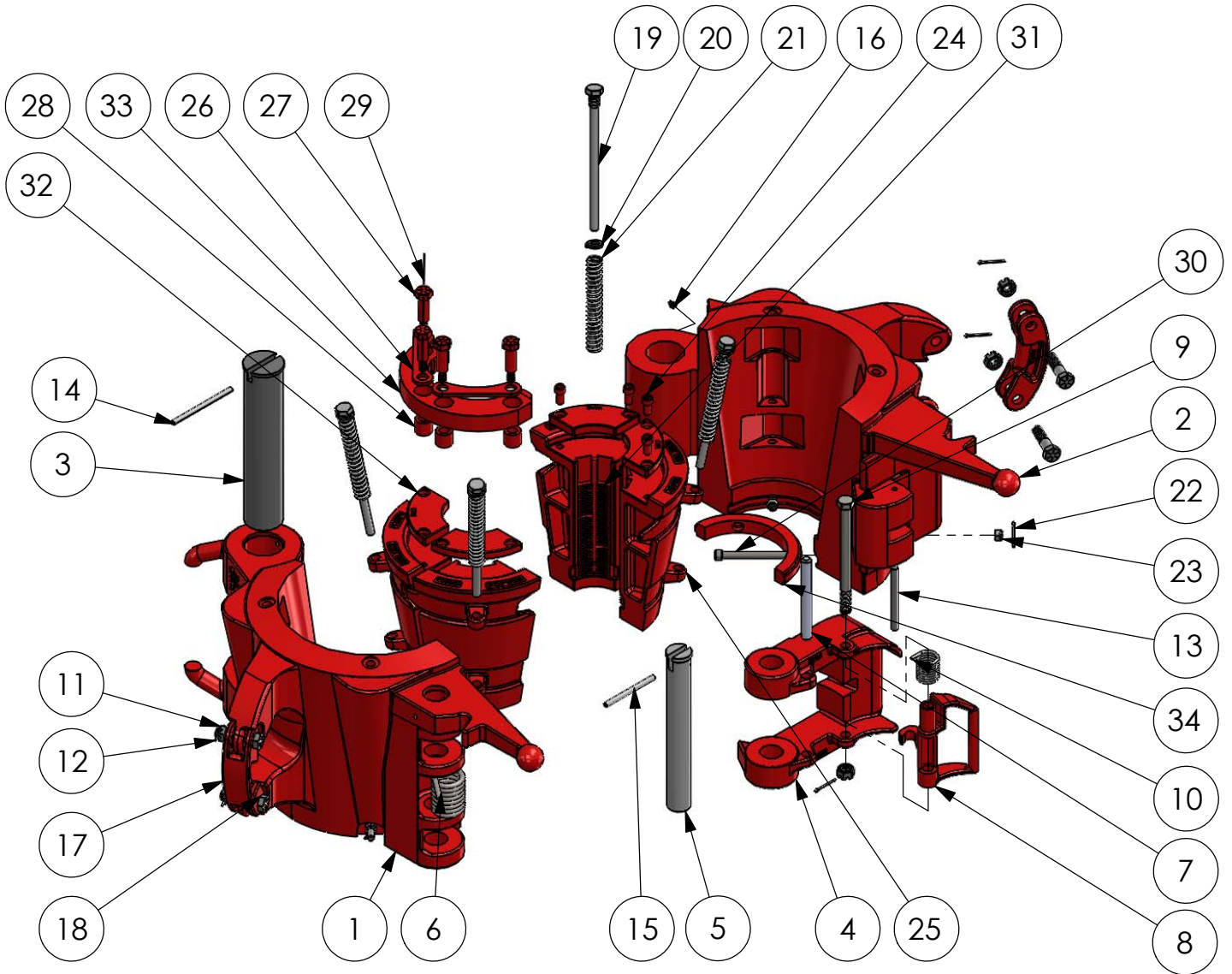


# BVM HYC ELEVATOR

HYC Elevators have a size range of 3-1/2" - 7-3/4" and have a working capacity of 200 tons. The elevators are produced from cast alloy heat treated steel and are load tested and MPI inspected.



12/2/21

**BVM CORPORATION**  
307 MAGNOLIA BUSINESS PARK DR.  
MAGNOLIA, TX 77354; PHONE: 346-296-5501  
www.bvmcorp.com; sales@bvmcorp.com

# BVM HYC ELEVATOR

REF NO.	QTY	DESCRIPTION	PART NO.
1	1	BODY	55310L
2	1	DOOR	55310R
3	1	HINGE PIN	55311
4	1	LATCH	55503
5	1	LATCH PIN	55312
6	1	LATCH SPRING	34909
7	1	LATCH SPRING STOP	31215
8	1	LATCH LOCK	13152
9	1	LATCH LOCK BOLT	31138
10	1	LATCH LOCK SPRING	13188
11	5	LATCH LOCK BOLT NUT	6812C-00-5
12	5	COTTER PIN	30AB-14-0
13	1	DOOR LUG PIN	13190
14	1	HINGE PIN RETAINER	40060-40-0
15	1	LATCH PIN RETAINER	40060-40-0
16	1	GREASE FITTING	940308-1
17	2	LINK BLOCK	9519
18	4	LINK BLOCK BOLT	8145
19	4	SLIP BOLT	24076
20	4	LOCKWASHER	20120-00-0
21	4	SLIP SPRING	945044-2
22	4	COTTER PIN	30AB0-12-0
23	4	LINK BLOCK NUT	6808C-00-5
24	4	SOCKET HEAD BOLT	1208C-06-8
25*	4	SLIP	*
26	2	SETTING RING RETAINER	30216
27	4	SHOULDER SCREW	55501
28	4	RUBBER BUSHING	55502
29	1	LOCKWIRE	947879
30	4	GUIDE PLATE BOLT	55508
31*	*	INSERT	*
32*	4	INSERT RETAINER	*
33*	1	SLIP SETTING RING	*
34*	1	GUIDE PLATE	*

		<b>4 1/2" x 3 1/2" SLIP SIZE</b>	<b>55509</b>
25	4	SLIP	55303
31	24	INSERT	24779
32	4	INSERT RETAINER	30214
33	1	SLIP SETTING RING	55516
34	1	GUIDE PLATE	26827-1

\* = SEE NEXT TABLE FOR DIFFERENT SIZES

REF NO.	QTY	DESCRIPTION	PART NO.
		<b>4 1/2" x 4" SLIP SIZE</b>	<b>55510</b>
25	4	SLIP	55303
31	24	INSERT	24781
32	4	INSERT RETAINER	30214
33	1	SLIP SETTING RING	55517
34	1	GUIDE PLATE	26827
		<b>4 1/2" SLIP SIZE</b>	<b>55511</b>
25	4	SLIP	55303
31	24	INSERT	16408
32	4	INSERT RETAINER	30214
33	1	SLIP SETTING RING	55518
34	1	GUIDE PLATE	24071-4
		<b>5 1/2" x 5" SLIP SIZE</b>	<b>55512</b>
25	4	SLIP	55304
31	36	INSERT	24783
32	4	INSERT RETAINER	30221
33	1	SLIP SETTING RING	55519
34	1	GUIDE PLATE	24071
		<b>5 1/2" SLIP SIZE</b>	<b>55513</b>
25	4	SLIP	55304
31	36	INSERT	16407
32	4	INSERT RETAINER	30224
33	1	SLIP SETTING RING	55520
34	1	GUIDE PLATE	24071-1
		<b>7" x 6 5/8" SLIP SIZE</b>	<b>55514</b>
25	4	SLIP	55305
31	48	INSERT	24748
32	4	INSERT RETAINER	30227
33	1	SLIP SETTING RING	55521
34	1	GUIDE PLATE	24071-3
		<b>7" SLIP SIZE</b>	<b>55515</b>
25	4	SLIP	55305
31	48	INSERT	16407
32	4	INSERT RETAINER	30230
33	1	SLIP SETTING RING	55522
34	1	GUIDE PLATE	24071-2
		<b>7 5/8" SLIP SIZE</b>	<b>70009</b>
25	4	SLIP	55305-1
31	48	INSERT	16407
32	4	INSERT RETAINER	70011
33	1	SLIP SETTING RING	70012
34	1	GUIDE PLATE	24071-6
		<b>7 3/4" SLIP SIZE</b>	<b>70015</b>
25	4	SLIP	55305-1
31	48	INSERT	32477
32	4	INSERT RETAINER	70011
33	1	SLIP SETTING RING	70014
34	1	GUIDE PLATE	24071-6