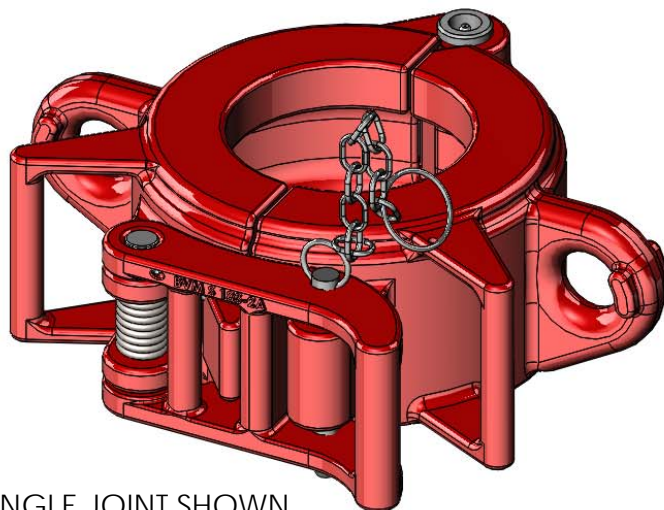
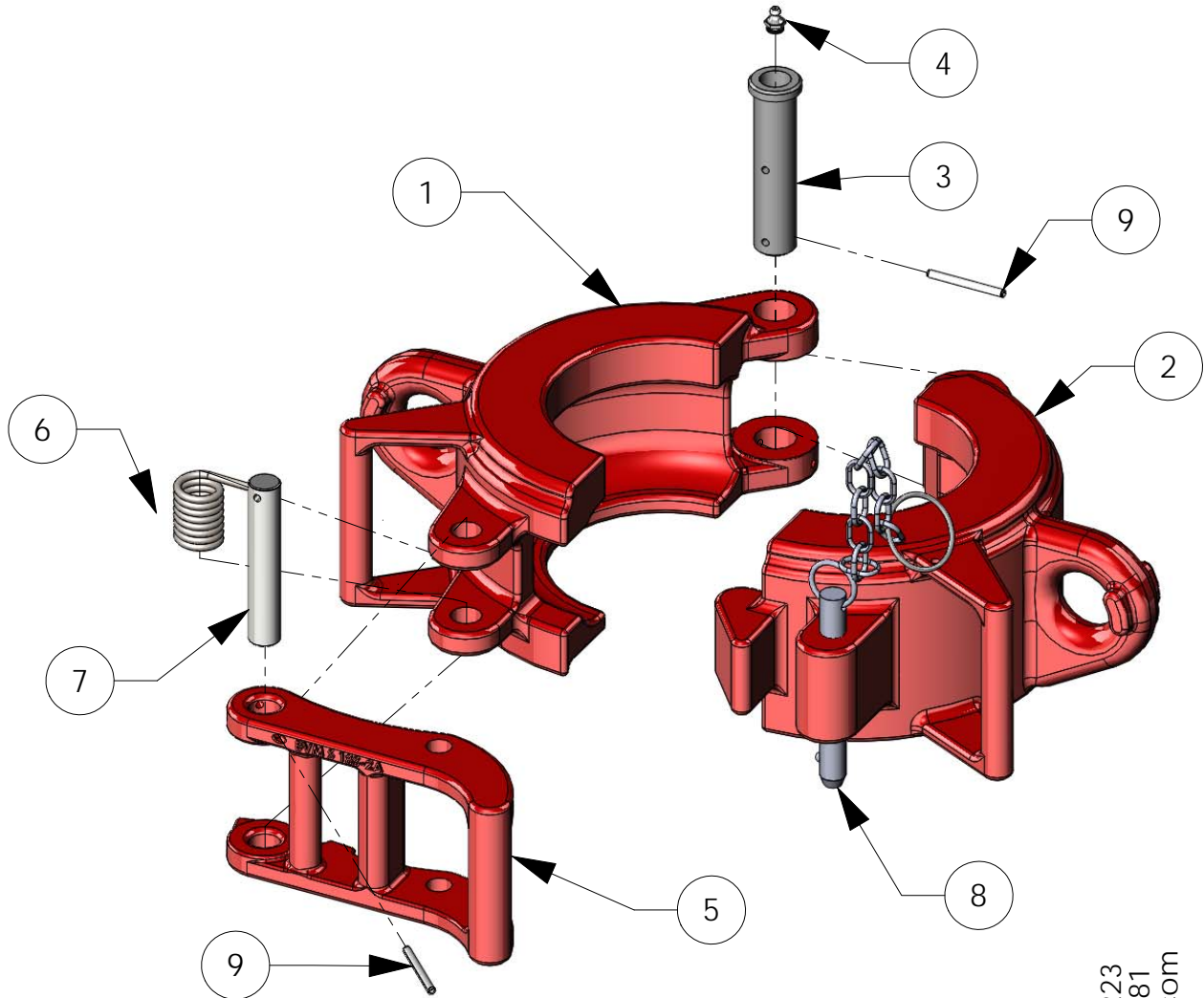


# BVM SINGLE JOINT ELEVATOR

BVM Type "S" Single Joint Center Latch Casing Elevators are available for handling casing and tubing sizes from 4" through 20". This elevator has a safety pin to lock latch. BVM Type "ST" is the same as the Type "S" except it is used for API sizes for 5° external upset casing. BVM's elevators are made from alloy steel, heat treated and magnetic particle inspected. All steel specifications are certified.



184 SINGLE JOINT SHOWN  
NO BORE SIZE CHOSEN

09/07/2012

**BVM CORPORATION**  
430 S. NAVAJO STREET, DENVER CO 80223  
PHONE: 303-975-1402; FAX: 303-975-0981  
www.bvmcorp.com; sales@bvmcorp.com

# BVM SINGLE JOINT ELEVATOR

## ELEVATOR SPECIFICATION

API SIZE	TYPE "S" ELEVATOR	
	ELEVATOR PART NO.	WT. (lbs)
2 3/8	183-158	51
2 7/8	183-160	51
3 1/2	183-162	51
4	183-164	51
4 1/2	183-166	52
4 3/8	183-130	65
5	183-131	65
5 1/2	183-132	65
5 3/4	183-133	65
6	184-134	65
6 5/8	184-135	65
7	184-136	65
7 5/8	184-137	65
8 5/8	185-139	85
9	185-140	85
9 5/8	185-141	85
10 3/4	186-142	115
11 3/4	186-143	115
13 3/8	186-144	115
16	187-145	170
18 5/8	187-146	170
20	187-147	170
21 1/2	188-148	283
24 1/2	188-149	283
30	189-644	283

### NOTE :

1. SIZE FOR DRILL PIPE HAVING 18" SHOULDER JOINTS ARE AVAILABLE.
2. API SIZES NOT LISTED ABOVE ARE ALSO AVAILABLE.

## REPLACEMENT PARTS FOR TYPE "S" ELEVATOR

ITEM NO.	P/N	DESCRIPTION	WEIGHT (lbs)
1	LEFT*	LEFT BODY	VAR.
2	RIGHT*	RIGHT BODY	VAR.
3	S-183-1**	HINGE PIN	1.0
4	940308-1	GREASE FITTINGS	0.1
5	S-183-2A	LATCH TYPE S - S183-S186	1.7
	S-183-2B	LATCH TYPE S - S187-S189	2.0
6	S-183-3	LATCH SPRING	0.1
7	S-183-4	LATCH PIN	0.5
8	S-183-5	SAFETY PIN ASSEMBLY WITH CHAIN	0.4
8.1	S-183-5-2	QUICK RELEASE PIN	--
8.2	--	CHAIN	--
9	40030-16-0	ROLL PIN (2 per Assembly)	--
--	S-183-6	WIRE LINE SLING OPTIONAL	7.0
--	S-183-7	SWIVEL SUSPENSION ASSEMBLY	25.0

\* The Left and Right Body P/N depends on size of Single Joint.

\*\* = S-183-1A for Sizes 2-3/8" to 7-5/8" OR S-183-1B for Sizes 8-5/8" to 24-1/2"